

# Vacuum Cleaner

## User Manual



VCM 7180 T

EN | FR | RO | SL | SV  
CS | BG | HU | PL | RU

01M-8835763200-3117-04

**beko**




# Please read this manual first!

Dear Valued Customer,

Thank you for preferring this Beko appliance. We hope that you get the best results from your appliance which has been manufactured with high quality and state-of-the-art technology. For this reason, please read this user manual and all other provided documents carefully before using the appliance and keep it as a reference for future use. If you hand over the appliance to someone else, give the user manual as well. Follow the instructions by paying attention to all the information and warnings in the user manual.

## Meanings of the Symbols

Following symbols are used in various sections of this manual:

	Important information and useful hints about usage.
	<b>WARNING:</b> Warnings against dangerous situations concerning the security of life and property.
	Protection class for electric shock.



This product has been produced in environmentally friendly, modern facilities.



Does not contain PCB.  
Made in P.R.C.

# CONTENTS

---

<b>ENGLISH</b>	<b>4-11</b>
<b>FRANÇAIS</b>	<b>12-20</b>
<b>ROMÂNĂ</b>	<b>21-31</b>
<b>SLOVENŠČINA</b>	<b>32-40</b>
<b>SVENSKA</b>	<b>41-49</b>
<b>ČESKY</b>	<b>50-58</b>
<b>БЪЛГАРСКИ</b>	<b>59-68</b>
<b>MAGYAR</b>	<b>69-77</b>
<b>POLSKI</b>	<b>78-91</b>
<b>РУССКИЙ</b>	<b>92-103</b>

# 1 Important safety and environmental instructions

This section contains safety instructions that will help protect from risk of personal injury or property damage.

Failure to follow these instructions invalidates the granted warranty.

## 1.1 General safety

- This appliance complies with international safety standards.
- This appliance can be used by children aged from 8 years and above and persons with reduced physical, sensory or mental capabilities or lack of experience and knowledge if they have been given supervision or instruction concerning use of the appliance in a safe way and understand the hazards involved. Children shall not play with the appliance. Cleaning and user maintenance shall not be made by children without supervision.
- If the power cable or the appliance itself is damaged, do not use it. Contact an authorised service.
- Your mains power supply should comply with the information on the rating plate of the appliance.
- The mains supply on which you will use the appliance must be secured with a 16 A fuse minimum.
- Do not use the appliance with an extension cable.
- To avoid any damage to the power cable, prevent it from being squeezed, bent or rubbed on sharp edges.
- Do not touch the plug when the appliance is plugged in if your hands are damp or wet.
- Do not pull the power cable when unplugging the appliance.
- Do not vacuum flammable materials and when vacuuming cigarette ash, make sure that it has cooled down.
- Do not vacuum water or other liquids.
- Protect the appliance from rain, humidity and heat sources.
- Never use the appliance in or near places where combustible or inflammable ambience or places are present.



# 1 Important safety and environmental instructions

- Unplug the appliance before cleaning and maintenance.
- Do not immerse the appliance or its power cable in water for cleaning.
- Check the hose of the appliance regularly. Do not use if it is damaged and contact an authorised service.
- Do not dismantle the appliance.
- Only use the original parts or parts recommended by the manufacturer.
- Do not use the appliance without filters; otherwise, it can get damaged.
- When vacuum-cleaning the stairs, the appliance should be located below the user.
- If you keep the packaging materials, store them out of the reach of children.

## 1.2 Compliance with WEEE Directive and Disposing of the Waste Product



This product complies with EU WEEE Directive (2012/19/EU). This product bears a classification symbol for waste electrical and electronic equipment (WEEE). This product has been manufactured with high quality parts and materials which can be reused and are suitable for recycling. Do not dispose of the waste product with normal domestic and other wastes at the end of its service life. Take it to the collection center for the recycling of electrical and electronic equipment. Please consult your local authorities to learn about these collection centers.

## 1.3 Compliance with RoHS Directive

The product you have purchased complies with EU RoHS Directive (2011/65/EU). It does not contain harmful and prohibited materials specified in the Directive.

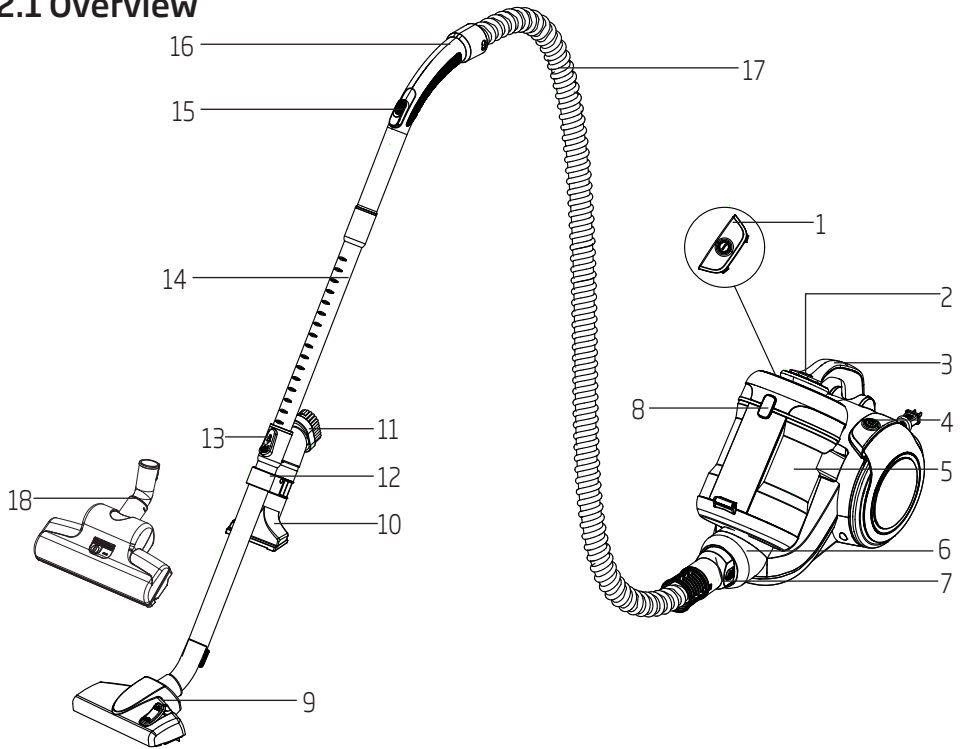
## 1.4 Package information



Packaging materials of the product are manufactured from recyclable materials in accordance with our National Environment Regulations. Do not dispose of the packaging materials together with the domestic or other wastes. Take them to the packaging material collection points designated by the local authorities.

## 2 Your vacuum cleaner

### 2.1 Overview



1. On/Of button
2. Dust container removal button
3. Carriage handle
4. Cable winding button
5. Dust container
6. Suction nozzle
7. Hose cap
8. Opening button for the motor protection filter (MIF) housing
9. Parquet/carpet brush
10. Upholstery tool
11. Dust brush
12. Accessory carrier
13. Telescopic tube adjustment latch
14. Telescopic tube
15. Suction power adjustment control
16. Handle
17. Hose
18. Turbo brush

### 2.2 Technical data

<b>Power</b>	: 800 W
<b>Supply voltage</b>	: 220-240 V~, 50-60Hz
<b>Dust container volume</b>	: 2.8 L
<b>Operating radius</b>	: 11 m
<b>Filter</b>	: HEPA13
<b>Dust collecting on carpet</b>	: C
<b>Dust collecting on hard surface</b>	: A
<b>Dust emission</b>	: A
<b>Energy class</b>	: A

Technical and design modification rights are reserved.

The values which are declared in the markings affixed on your appliance or other printed documents supplied with it represent the values which were obtained in the laboratories pursuant to the pertinent standards. These values may vary according to the usage of the appliance and ambient conditions.

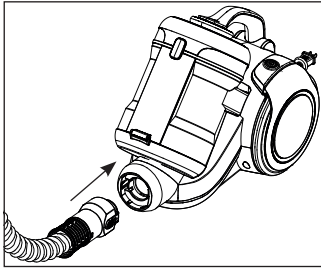
## 3 Usage

### 3.1 Intended use

The appliance was designed for household use and is not suitable for industrial use.

### 3.2 Attaching/removing the hose

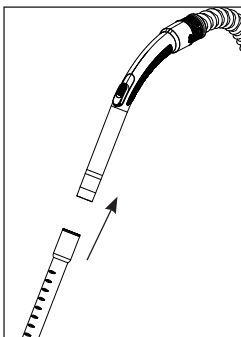
1. To attach the hose (17) push the hose cap in the direction of arrow until it is aligned with the housing.



- The tabs on the hose cap (7) must be seated correctly.
2. To remove the hose (17), press on the tabs on the hose cap (7) and pull it.

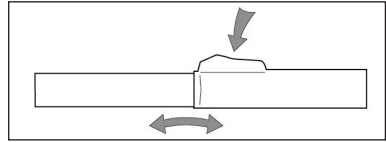
### 3.3 Attaching/removing the telescopic tube

1. Attach the telescopic tube (14) to the handle (16).



2. Pull the telescopic tube (14) from the handle (16) to remove it.

3. You can extend or shorten the telescopic tube (14) by sliding the telescopic tube adjustment latch back and forth.



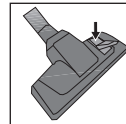
### 3.4 Attaching/removing the parquet/carpet brush

1. Attach the telescopic tube (14) to the parquet/carpet brush (9).
2. Pull the telescopic tube (14) from the parquet/carpet brush (9) to remove it.

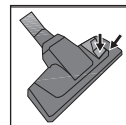
### 3.5 Adjusting the parquet/carpet brush

Perform the following actions on the adjustment latch located on the parquet/carpet brush (9);

- Use "≡|||≡" position for hard floors and parquet.



- Use "◊" position for rugs and carpets.



### 3.6 Operation

1. Plug in the appliance after pulling the power plug located at the back of the appliance.



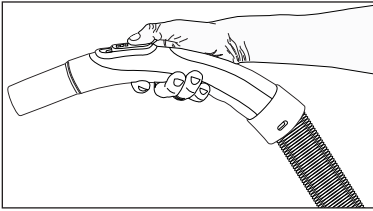
**WARNING:** Stop pulling the appliance cable when it comes to the yellow mark located on it. After the yellow mark the red mark comes. Do not pull any more after reaching the red mark.

## 3 Usage

2. Press the on/off button (1) to switch on your appliance.

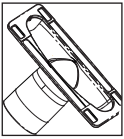
### 3.6.1 Adjusting the suction power

You can adjust the suction power with the suction power adjustment control (15) on the handle (16). The more you open the control, the more the suction power will be decreased.



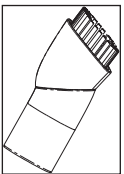
### 3.7 Accessories

#### Upholstery tool



Suitable for cleaning the floorings, stair steps, inside of the cars, sofas, armchairs etc.

#### Dust brush



Suitable for cleaning the curtains, and sensitive and fragile objects.



**WARNING:** Do not perform cleaning by using the end part of the handle (16).

### 3.8 Turbo brush

The turbo brush (18) allows you to clear the hair on carpets in a faster and more efficient way. Thus you can even remove the hair -which is hard to remove such as dog hair or cat hair- easily.

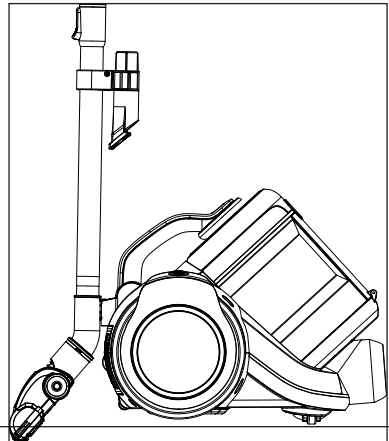
On surfaces where you have difficulty moving the turbo brush (18), push the slid found on the brush in the arrow direction.

### 3.9 Warnings regarding the energy label

This is a general-purpose vacuum cleaner. In order to reach the highest energy efficiency and cleaning performance class specified in carpet and parquet cleaning, please use the high-performance parquet/carpet brush (9). The specified values regarding the energy label were determined according to the predefined measurement methods (in line with EN60312-1).

### 3.10 Switching off the vacuum cleaner and parking feature

1. After using the appliance, switch it off by pressing the On/off button (1) and unplug it.
2. Insert the hook of the parquet/carpet brush (9) into the parking groove located at the rear section of the appliance.



## 4 Cleaning and care

Switch off and unplug the appliance before cleaning it.



**WARNING:** Never use gasoline, solvent, abrasive cleaning agents, metal objects or hard brushes to clean the appliance.

### 4.1 Dust indicator

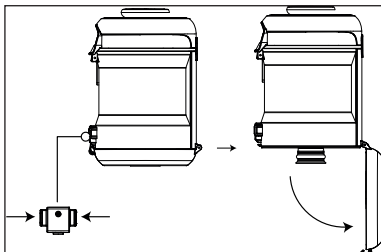
If the dust container is full or the hose or the tube is blocked by a large item such as a sock and thus the suction is prevented, the dust indicator next to the on/off button lights red.



**WARNING:** If the dust container is empty, this means that a large item (such as a sock) is stuck in the hose or the tube and thus the air flow is blocked. In such cases, switch off the appliance and check the components.

### 4.2 Emptying the dust container

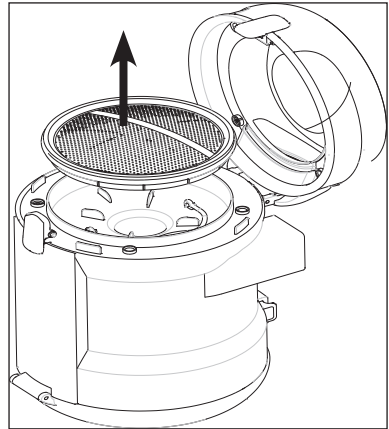
1. Press the dust container removal button (2) to remove the dust container (5) and remove the dust container.
2. Push the dust container removal latches located at the back of the dust container (5) from both sides.



- Open the dust container (5) cover and empty the container.
3. When you have emptied dust, close the dust container cover (5); a click sound will be heard.
  4. Insert the dust container (5) back into its location.

### 4.3 Cleaning the cyclone separator

1. Press the dust container removal button (2) and remove the dust container.
2. Press the opening button for the motor protection filter (MIF) housing (8) and open the cover.
3. Remove the motor protection filter (MIF) located inside.



4. After removing the motor protection filter, you will see the metal handle on the cyclone separator. Holding this handle, remove the cyclone separator from the dust container (5).
5. Clean the cyclone separator and the dust container (5) compartment with a soft brush and wipe them with a damp cloth.



**WARNING:** Cyclone separator should not be immersed in water.

## 4 Cleaning and care

### 4.4 Cleaning the filters

Replace your filters at regular intervals according to the frequency of use. It is recommended that you replace the filters every 6 months for average use.

While you empty the dust accumulated in the dust container to clean the container, you need to clean the motor protection filter, the foam filter and HEPA filter as well.



**WARNING:** Do not use appliances producing hot air such as hair dryer or heater to dry the filters.



**WARNING:** Do not install the filters without completely drying them; otherwise, smell of moisture may occur during use, water can leak from the back of the appliance or the filters may get damaged.

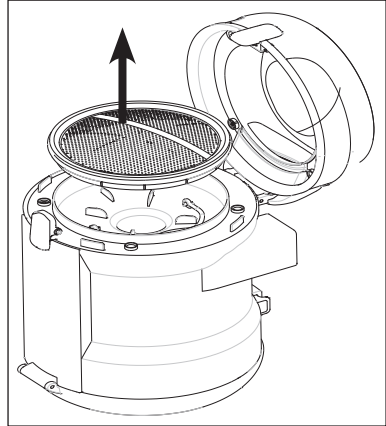


**WARNING:** Attach the filters into their places after they have dried.

#### 4.4.1 Motor protection filter (MIF)

This filter is located on the dust container.

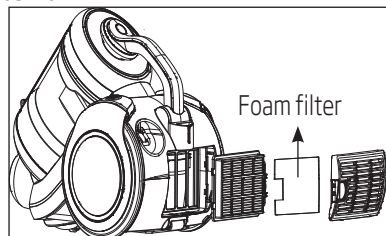
1. Press the dust container removal button (2) and remove the dust container (5).
2. Press the opening button for the motor protection filter (MIF) housing (8).
3. Remove the motor protection filter by pulling it.



4. After shaking it off, wash it under running water, wring it out gently and leave it to dry (for 24 hours minimum).

#### 4.4.2 Foam filter

1. Push down the rear cover opening latch to open the cover.
2. Remove the foam filter behind the cover and wash it.

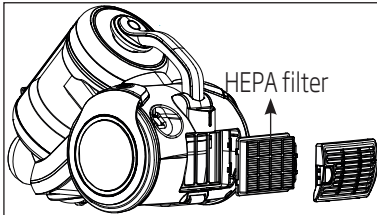


3. After shaking it off, wash it under running water, wring it out gently and leave it to dry (for 24 hours minimum).

## 4 Cleaning and care

### 4.4.3 HEPA filter

1. Push down the rear cover opening latch to open the cover and remove the HEPA filter by pulling it from its handle.



2. You can wash the filter under running water after shaking it off.
3. If you wash the HEPA filter, dry it at room temperature (for 24 hours minimum). Do not use it before ensuring that it is completely dry.
4. For a longer service life, you can clean the HEPA filter by hitting it on a hard surface instead of washing it. Thus the dusts accumulated on the HEPA filter will leave the filter as you hit it on a hard floor.

### 4.5 Storage

- If you do not intend to use the appliance for a long time, store it carefully.
- Unplug the appliance.
- Keep the appliance out of the reach of children.

### 4.6 Handling and transportation

- During handling and transportation, carry the appliance in its original packaging. The packaging of the appliance protects it against physical damages.
- Do not place heavy loads on the appliance or on the packaging. The appliance may get damaged.
- Dropping the appliance may render it non-operational or cause permanent damage.




# Avant de commencer, bien vouloir lire ce manuel d'utilisation !

Chère cliente, cher client,

Merci d'avoir choisi les produits Beko. Nous espérons que ce produit, fabriqué dans des installations modernes et soumis à un processus de contrôle qualité rigoureux, vous offre les meilleures performances possibles. C'est pourquoi nous vous recommandons, avant d'utiliser ce produit, de lire attentivement ce manuel et tous les autres documents fournis et de les conserver soigneusement pour toute consultation future. Si vous confiez le produit à quelqu'un d'autre, n'oubliez pas de lui remettre également le manuel d'utilisation. Veuillez à bien respecter les consignes et les instructions figurant dans le manuel d'utilisation

## Signification des pictogrammes

Les symboles suivants sont repris tout au long de ce manuel:

	Informations importantes et conseils utiles sur l'utilisation de l'appareil.
	Avertissement sur les situations dangereuses concernant la sécurité des biens et des personnes.
	Classe de protection pour le choc électrique.



Ce produit a été fabriqué dans les usines modernes respectueuses de l'environnement.



Ne contient pas de PCB.  
FABRIQUÉ EN P.R.C.



Cette section contient les instructions de sécurité qui vous aideront à éviter toutes blessures physiques ou dommages économiques.

Le non respect de ces instructions entraîne l'annulation de la couverture de garantie.

## **1.1 Consignes générales de sécurité**

- Cet appareil est conçu selon les normes internationales de sécurité.
  - Cet appareil peut être utilisé par des enfants de 8 ans et plus et des personnes dont les capacités physiques, sensorielles ou mentales sont réduites ou n'ayant pas suffisamment d'expérience ou de connaissances si une personne chargée de la sécurité les surveille ou leur apprend à utiliser le produit en toute sécurité et en étant conscients des dangers y afférents. Les enfants ne doivent pas jouer avec cet appareil.
- Le nettoyage et l'entretien d'utilisation ne doivent pas être effectués par des enfants sans surveillance.
- Si le câble d'alimentation est endommagé, faites-le remplacer par un centre d'entretien désigné pour éviter toute situation dangereuse.
  - L'alimentation électrique doit être conforme aux spécifications indiquées sur l'étiquette.
  - Les principaux doivent être équipés et protégés par des fusibles de 16 A minimum.
  - N'utilisez pas de cordon prolongateur avec l'appareil.
  - Pour éviter d'endommager le câble d'alimentation, évitez de l'aplatir, de le plier ou même de le frotter contre des bords coupants.
  - Lorsque l'appareil est branché évitez de toucher la prise avec des mains mouettes ou humides.
  - Ne jamais tirer le câble d'alimentation pour débrancher l'appareil.

- N'espérez jamais d'eau, de liquides, de substances inflammables, ni de cendres encore chaudes.
- N'aspirez jamais d'eau, de liquides, de substances inflammables.
- Tenir l'appareil à l'écart de la pluie, de l'humidité et des sources de chaleur.
- N'utilisez pas l'appareil à proximité ou autour des environnements ou matières explosives ou inflammables.
- Veillez à toujours débrancher l'appareil avant de le nettoyer.
- Ne jamais introduire l'appareil ou le câble d'alimentation dans l'eau ou tout autre liquide.
- Contrôler régulièrement le tuyau de l'appareil. En cas de problème, arrêter l'utilisation et contacter le service agréé.
- Évitez de démonter l'appareil.
- Utilisez exclusivement les pièces d'origine ou les pièces recommandées par le fabricant.
- Ne faites jamais fonctionner l'appareil sans le bac à poussière ou le filtre.
- Pendant le nettoyage des escaliers, placer l'appareil à un niveau inférieur par rapport à l'opérateur.
- Conservez les emballages hors de portée des enfants.

## 1.2 Conformité avec la directive DEEE et mise au rebut des déchets



Ce produit est conforme à la directive DEEE (2012/19/UE) de l'Union européenne). Ce produit porte un symbole de classification pour la mise au rebut des équipements électriques et électroniques (DEEE). Le présent produit a été fabriqué avec des pièces et du matériel de qualité supérieure susceptibles d'être réutilisés et adaptés au recyclage. Par conséquent, nous vous conseillons de ne pas le mettre au rebut avec les ordures ménagères et d'autres déchets à la fin de sa durée de vie. Au contraire, rendez-vous dans un point de collecte pour le recyclage de tout matériel électrique et électronique. Veuillez vous rapprocher des autorités de votre localité pour plus d'informations concernant le point de collecte le plus proche.

## 1.3 Conformité avec la directive LdSD

L'appareil que vous avez acheté est conforme à la directive LdSD (2011/65/UE) de l'Union européenne. Il ne comporte pas les matériaux dangereux et interdits mentionnés dans la directive.

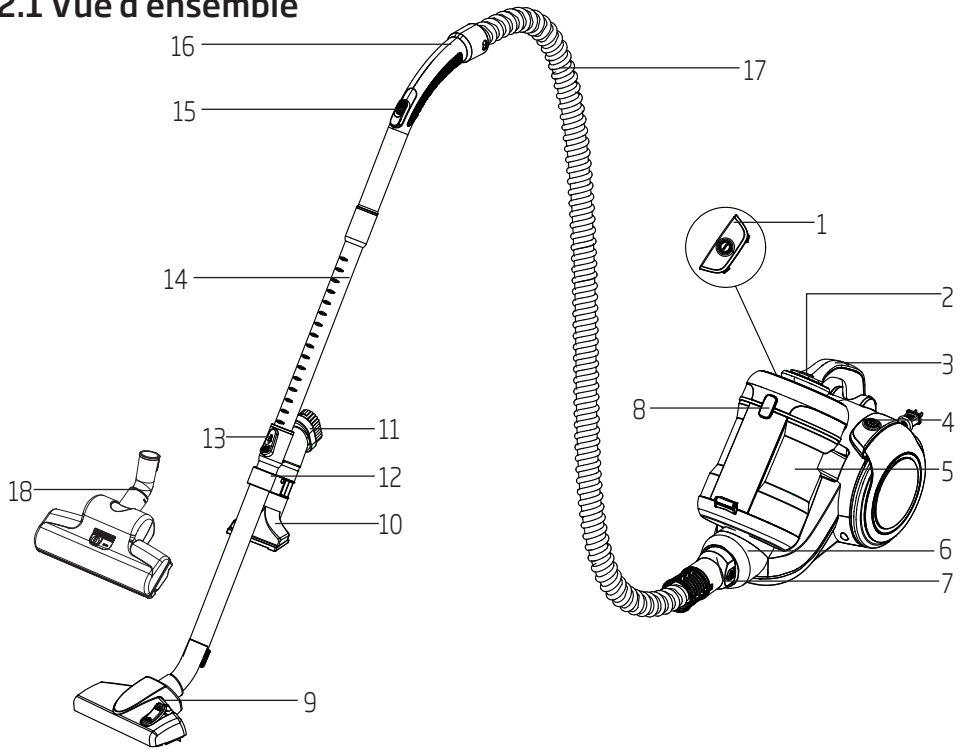
## 1.4 Détails sur l'emballage



L'emballage du produit est fait à partir de matériaux recyclables, conformément à notre Règlementation nationale. Ne jetez pas les déchets d'emballage avec les déchets domestiques ou d'autres types de déchets, déposez-les dans des points de collecte recommandés par les autorités locales.

## 2 Présentation de l'aspirateur

### 2.1 Vue d'ensemble



1. Bouton Marche/Arrêt
2. Bouton de retrait du sac à poussière
3. Poignée de chariot
4. Bouton d'enroulement du câble électrique
5. Sac à poussière
6. Buse d'aspiration
7. Bouchon du tuyau
8. Bouton d'ouverture du boîtier du filtre de protection du moteur (MIF)
9. Brosse pour parquet/moquette
10. Brosse à meubles
11. Brosse à dépeussier
12. Support d'accessoire
13. Verrou d'ajustement du tube télescopique
14. Tube télescopique
15. Commande de réglage de la puissance d'aspiration
16. Poignée
17. Tuyau
18. Embout Turbo

### 2.2 Technical data

<b>Power</b>	: 800 W
<b>Supply voltage</b>	: 220-240 V~, 50-60Hz
<b>Dust container volume</b>	: 2.8 L
<b>Operating radius</b>	: 11 m
<b>Filter</b>	: HEPA13
<b>Dust collecting on carpet</b>	: C
<b>Dust collecting on hard surface</b>	: A
<b>Dust emission</b>	: A
<b>Energy class</b>	: A

Technical and design modification rights are reserved.

Les valeurs indiquées sur les inscriptions apposées sur votre produit ou les autres documents fournis avec le produit sont des valeurs obtenues en conditions de laboratoire, conformément aux normes en vigueur. Ces valeurs peuvent varier selon l'utilisation de l'appareil et les conditions environnementales.

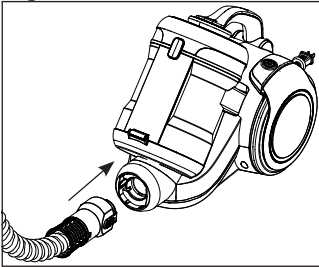
## 3 Fonctionnement

### 3.1 Utilisation préconisée

L'appareil a été conçu pour un usage domestique. Il n'a pas été conçu pour un usage industriel.

### 3.2 Fixation/retrait du tuyau

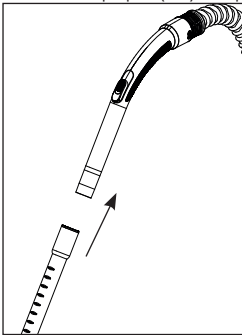
1. Pour fixer le tuyau (17), poussez le bouchon du tuyau suivant la direction des flèches jusqu'à ce qu'il s'aligne avec le boîtier.



- Les languettes situées sur le bouchon du tuyau (7) doivent être correctement installées.
2. Pour retirer le tuyau (17), appuyez sur les languettes situées sur le bouchon du tuyau (7) et tirez-le.

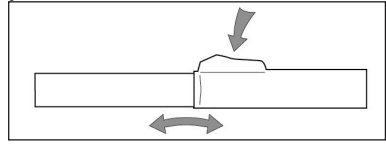
### 3.3 Fixation/retrait du tube télescopique

1. Fixez le tube télescopique (14) à la poignée (16).



2. Tirez sur le tube télescopique (14) pour le retirer (16) de la poignée.

3. Vous pouvez rallonger le tube télescopique ou le raccourcir (14) en faisant coulisser son verrou d'ajustement vers l'avant ou vers l'arrière.



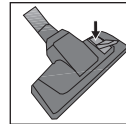
### 3.4 Emmanchement/retrait de la brosse pour parquet/moquette

1. Fixez le tube télescopique (14) à la brosse pour parquet/moquette (9).
2. Tirez le tube télescopique (14) de la brosse pour parquet/moquette (9) pour le retirer.

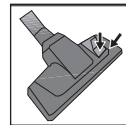
### 3.5 Ajustement de la brosse pour parquet/moquette

Effectuez les actions suivantes sur le verrou d'ajustement situé sur la brosse pour parquet/moquette (9) ;

- Utilisez la position «  » pour les planchers durs et les parquets.



- Utilisez la position «  » pour tapis et moquettes.



### 3.6 Fonctionnement

1. Branchez l'appareil après avoir connecté la fiche secteur située à l'arrière.

## 3 Fonctionnement

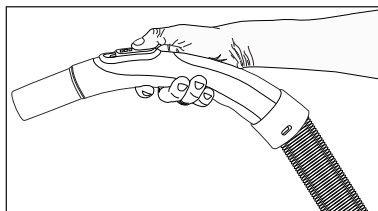


**Attention !** Arrêtez de tirer sur le câble de l'appareil une fois que vous apercevez la marque jaune. La marque rouge apparaît après la marque jaune. Ne tirez plus lorsque la marque rouge apparaît.

2. Appuyez sur le bouton Marche/Arrêt (1) pour mettre votre appareil en marche.

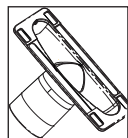
### 3.6.1 Réglage de la puissance d'aspiration

Vous pouvez régler la puissance d'aspiration à l'aide de la commande de réglage de la puissance d'aspiration (15) située sur la poignée (16). Plus vous tournez la commande, plus la puissance d'aspiration diminue.



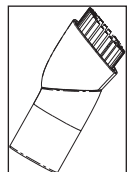
### 3.7 Accessories

#### Brosse à meubles



Idéale pour le nettoyage des planchers, des marches d'escalier, de l'intérieur des véhicules, des canapés, des fauteuils, etc.

#### Brosse à dépoussiérer



Idéale pour le nettoyage des rideaux, des objets délicats.



**Attention !** Ne nettoyez pas en tenant l'extrémité de la poignée (16).

### 3.8 Embout Turbo

L'embout turbo (18) vous permet de nettoyer les poils des moquettes avec plus de rapidité et d'efficacité. Par conséquent, vous pouvez également éliminer avec plus d'aisance les poils récalcitrants tels que ceux des chiens et des chats.

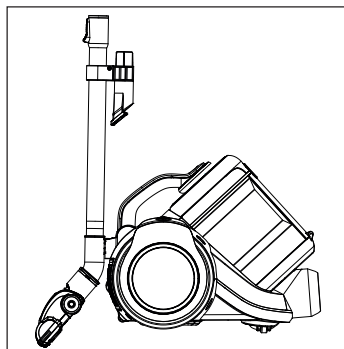
Pour les surfaces où il est difficile de déplacer l'embout turbo (18), poussez le dispositif de coulissement situé sur l'embout dans le sens de la flèche.

### 3.9 Avertissements relatifs à l'étiquetage énergétique

Cet aspirateur est à usage général. Pour atteindre l'efficacité énergétique la plus élevée et une classe de performance de nettoyage spécifiée pour le nettoyage des tapis et parquet, veuillez utiliser la brosse pour parquet/moquette à haute performance (9). Les valeurs indiquées concernant l'étiquetage énergétique ont été déterminées conformément à des méthodes de mesure prédéfinies (conforme à EN60312-1).

### 3.10 Arrêt et rangement de l'aspirateur

1. Après avoir utilisé l'appareil, arrêtez-le en appuyant sur le bouton Marche/Arrêt (1) et débranchez-le.
2. Insérez le crochet de la brosse pour parquet/moquette (9) dans la rainure de rangement située à l'arrière de l'appareil.



## 4 Nettoyage et entretien

Arrêtez l'appareil et débranchez-le avant de le nettoyer.



**Attention !** N'utilisez jamais d'essence, de solvants ou de nettoyants abrasifs, d'objets métalliques ou de brosses dures pour nettoyer l'appareil.

### 4.1 Indicateur de poussière

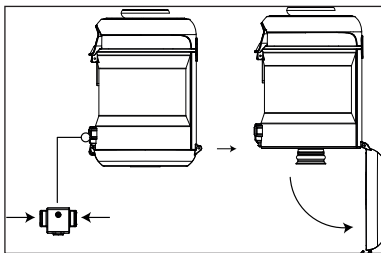
Si le sac à poussière est plein, si le tuyau ou le tube est bloqué par un objet volumineux tel qu'une chaussette qui empêche l'aspiration, alors l'indicateur de poussière situé près du bouton Marche/Arrêt émet une lumière rouge.



**Attention !** Si le sac à poussière est vide, alors un objet volumineux (par exemple une chaussette) obstrue le tuyau ou le tube et empêche l'air de circuler. Si tel est le cas, arrêtez l'appareil et vérifiez ses composants.

### 4.2 Nettoyage du sac à poussière

1. Appuyez sur le bouton de retrait du sac à poussière (2) pour retirer (5) le sac à poussière.
2. Poussez les verrous de retrait du sac à poussière situés à l'arrière du sac à poussière (5) de part et d'autre.

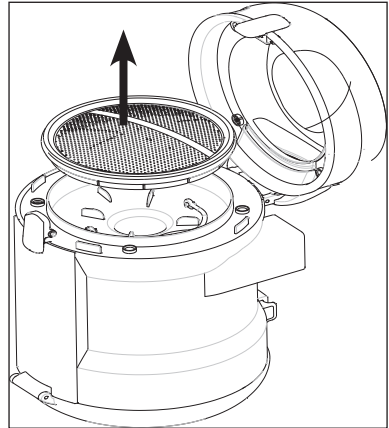


- Ouvrez le sac à poussière, (5) couvrez-le et videz-le.
3. Lorsque vous avez vidé le sac à poussière, fermez le couvercle (5); un clic retentit.

4. Remettez le sac à poussière (5) à son emplacement.

### 4.3 Nettoyage du séparateur cyclone

1. Appuyez sur le bouton de retrait du sac à poussière (2) pour retirer le sac à poussière.
2. Appuyez sur le bouton d'ouverture du boîtier du filtre de protection du moteur (MIF) (8) et ouvrez le couvercle.
3. Retirez le filtre de protection du moteur (MIF) situé à l'intérieur.



4. Après avoir retiré le filtre de protection du moteur, vous verrez la poignée métallique du séparateur cyclone. Retirez le séparateur cyclone du sac à poussière en tenant cette poignée (5).
5. Nettoyez le séparateur cyclone et le compartiment du sac à poussière (5) avec une brosse douce et essuyez-le avec un tissu humide.



**Attention !** N'immergez pas le séparateur cyclone dans l'eau.

## 4 Nettoyage et entretien

### 4.4 Nettoyage des filtres

Remplacez vos filtres à des intervalles réguliers en fonction de la fréquence d'utilisation. Il est recommandé de remplacer les filtres après une utilisation moyenne de 6 mois.

Lorsque vous videz la poussière accumulée dans le sac à poussière, nettoyez également le filtre de protection du moteur, le filtre à mousse et le filtre HEPA.



**Attention !** N'utilisez pas d'appareils produisant de l'air chaud tels que le sèche-cheveux ou le réchauffeur pour sécher les filtres.



**Attention !** N'installez les filtres que lorsqu'ils sont complètement secs; sinon, durant l'utilisation de votre appareil, vous constaterez une certaine humidité, de l'eau pourrait s'échapper de l'arrière de l'aspirateur ou les filtres pourraient être endommagés.

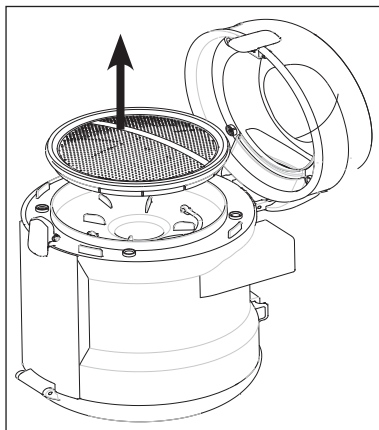


**Attention !** Fixez les filtres à leur emplacement lorsqu'ils sont secs.

#### 4.4.1 Filtre de protection du moteur (MIF)

Ce filtre se trouve sur le sac à poussière.

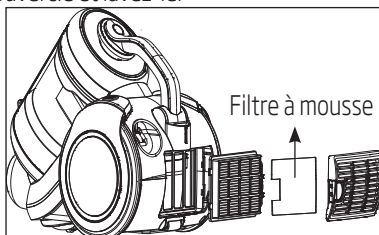
1. Appuyez sur le bouton de retrait du sac à poussière (2) pour retirer le sac à poussière (5).
2. Appuyez sur le bouton d'ouverture du boîtier du filtre de protection du moteur (MIF) (8).
3. Retirez le filtre de protection du moteur en le tirant.



4. Après l'avoir secoué, lavez-le à l'eau courante, essorez-le soigneusement et séchez-le (pendant 24 heures minimum).

#### 4.4.2 Filtre à mousse

1. Poussez le verrou d'ouverture du couvercle arrière vers le bas pour ouvrir le couvercle.
2. Retirez le filtre à mousse placé derrière le couvercle et lavez-le.

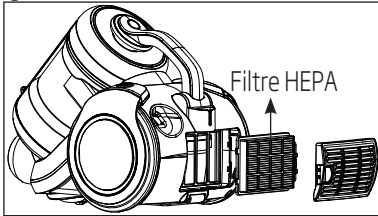


3. Après l'avoir secoué, lavez-le à l'eau courante, essorez-le soigneusement et séchez-le (pendant 24 heures minimum).

## 4 Nettoyage et entretien

### 4.4.3 Filtre HEPA

1. Poussez le verrou d'ouverture du couvercle arrière vers le bas pour ouvrir le couvercle et retirez le filtre HEPA en le détachant de sa poignée.



2. Lavez le filtre à l'eau courante après l'avoir secoué.
3. Si vous lavez le filtre HEPA, séchez-le à la température ambiante (pendant 24 heures minimum). Ne l'utilisez pas avant vous être assuré qu'il est complètement sec.
4. Pour une plus longue durée de vie, nettoyez le filtre HEPA en le frappant contre une surface dure au lieu de le laver. Vous enlèverez ainsi la poussière qui s'y est accumulée.

### 4.5 Rangement

- Si vous ne comptez pas utiliser votre appareil pendant une période prolongée, veuillez le ranger soigneusement.
- Débranchez l'appareil.
- Tenez l'appareil hors de portée des enfants.






# Vă rugăm să citiți mai întâi acest manual!

Stimate client,

Vă mulțumim pentru că ați ales un produs Beko. Sperăm să obțineți cele mai bune rezultate de la produsul dumneavoastră, care a fost fabricat la o calitate înaltă și cu tehnologii performante. În acest scop, vă rugăm să citiți cu grijă și în întregime acest manual de utilizare și toate celelalte documente însoțitoare înainte de a utiliza produsul și să le păstrați pentru consultări ulterioare. Dacă transferați produsul altei persoane, oferiți-i și manualul de utilizare. Urmați instrucțiunile și acordați atenție tuturor informațiilor și avertismentelor din manualul de utilizare.

## Semnificația simbolurilor

Următoarele simboluri sunt utilizate în diverse părți ale acestui manual de utilizare:

	Informații importante și sugestii utile cu privire la utilizare.
	<b>AVERTISMENT:</b> Avertismente pentru situații periculoase referitoare la siguranța vieții și proprietății.
	Clasă de protecție pentru șoc electric.



Acest produs a fost produs în unități moderne care sunt prietenoase cu mediul înconjurător.



Nu conține PCB.  
Fabricat în R.P.C.

Această secțiune conține instrucțiuni de siguranță care vă vor ajuta să vă protejați de riscul vătămarilor corporale sau a pagubelor materiale.

Nerespectarea acestor instrucțiuni invalidează garanția furnizată.

## 1.1 Siguranță generală

- Acest produs este conform cu standardele internaționale de siguranță.
- Acest produs poate fi utilizat de copii cu vârsta mai mare de 8 ani și de persoanele care au capacități fizice, perceptive sau mentale reduse sau de către persoanele care nu au experiență sau cunoștințe, atât timp cât aceștia sunt supravegheați și au fost instruiți referitor la utilizarea în siguranță a produsului și a pericolelor întâlnite. Copii nu trebuie să se joace cu produsul. Lucrările de curățare și întreținere nu trebuie să fie efectuate de către copii cu excepția cazului în care sunt supravegheați de către un adult.
- Nu utilizați produsul atunci când cablul de alimentare sau produsul este avariat. Contactați un service autorizat.
- Tensiunea de alimentare a prizelor trebuie să corespundă cu informațiile de pe eticheta produsului.
- Tensiunea de alimentare a produsului trebuie să fie securizată cu o siguranță de minimum 16 A.
- Nu utilizați produsul cu un prelungitor.
- Pentru a evita deteriorarea cablului de alimentare, aveți grijă să nu fie strivit, îndoit sau frecat pe muchii ascuțite.
- Dacă aveți mâinile umede, nu atingeți produsul sau ștecherul acestuia atunci când este conectat la priză.
- În momentul când scoateți din priză, nu trageți de cablu.
- Nu aspirați materiale inflamabile, iar atunci când aspirați cenușa de țigară, asigurați-vă că este stinsă.
- Nu aspirați apă sau alte lichide.

- Protejați aparatul de ploaie, umiditate și surse de căldură.
- Nu utilizați niciodată produsul în locuri în care există materiale combustibile sau inflamabile sau în apropierea acestora.
- Înainte de curățare și întreținere, decuplați produsul.
- Nu imersați produsul sau cablul său în apă.
- Verificați în mod regulat furtunul aparatului. Nu-l utilizați dacă este deteriorat și contactați un service autorizat.
- Nu dezasamblați produsul.
- Utilizați doar componentele originale sau componentele recomandate de către producător.
- Nu utilizați produsul fără filtre, deoarece se poate deteriora.
- Atunci când aspirați scările, produsul trebuie să fie plasat mai jos decât utilizatorul.
- Dacă păstrați materialele de ambalare, depozitați-le în locuri inaccesibile copiilor.

## 1.2 Conformitate cu Directiva WEEE și depozitarea la deșeurile a produsului uzat



Acest produs respectă Directiva UE WEEE (19/2012/UE). Produsul este marcat cu un simbol de clasificare pentru deșeurile electrice și electronice (WEEE).

Acest produs a fost fabricat folosind piese și materiale de înaltă calitate, care pot fi refolosite și reciclate. Nu depozitați produsul uzat împreună cu gunoiul menajer la sfârșitul duratei sale de funcționare. Duceți-l la un centru de colectare pentru reciclarea echipamentelor electrice și electronice. Luați legătura cu autoritățile locale pentru a afla informații despre aceste centre de colectare.

## 1.3 Conformitate cu Directiva RoHS:

Produsul pe care l-ați achiziționat respectă Directiva UE RoHS (65/2011/UE). Nu conține materiale dăunătoare și interzise specificate în Directivă

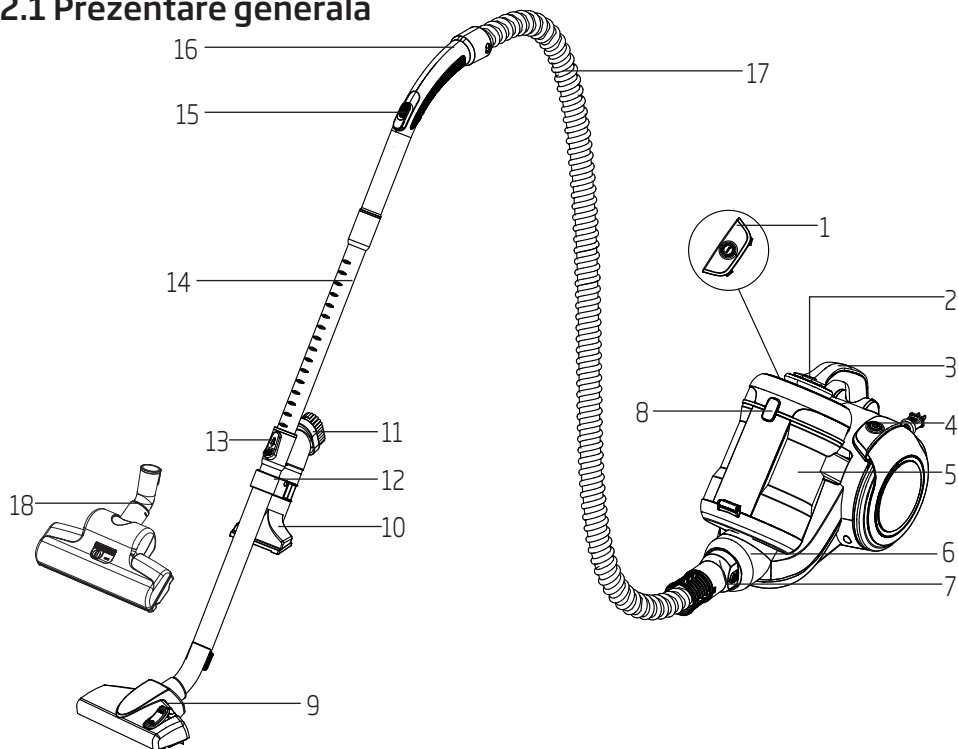
## 1.4 Ambalajul produsului



Ambalajul utilizat pentru produsul dumneavoastră este fabricat din materiale reciclabile. Asigurați-vă că materialele de ambalare sunt eliminate conform reglementărilor locale aplicabile pentru a include materialele în procesul de reciclare pentru protecția mediului înconjurător.

## 2 Aspiratorul dumneavoastră

### 2.1 Prezentare generală



1. Buton Pornit/Oprit
2. Buton extragere container de praf
3. Mânerul de transport
4. Buton de bobinat fir
5. Container de praf
6. Duză de aspirare
7. Racord furtun
8. Butonul de deschidere pentru carcasa filtrului de protecție a motorului (MIF)
9. Perie pentru parchet/covor
10. Accesoriu de aspirare pentru mobila tapițată
11. Peria pentru praf
12. Suport accesorii
13. Clemă reglare tub telescopic
14. Tub telescopic
15. Buton de reglare a puterii de aspirare
16. Mâner
17. Furtun
18. Perie turbo

### 2.2 Date tehnice

**Alimentare** : 800 W

**Tensiune de alimentare** :  
220-240 V~, 50-60Hz

**Volum recipient de praf** : 2.8l

**Rază de operare** : 11 m

**Filtru** : HEPA13

**Colectarea prafului de pe covor** : C

**Colectarea prafului de pe suprafețele dure** : A

**Emisie de praf** : A

**Clasă de energie** : A

Drepturile tehnice și de modificare a design-ului sunt rezervate.

Valorile care sunt declarate pe etichetele aplicate pe aparatul dumneavoastră sau alte documente imprimate furnizate cu acesta reprezintă valorile care au fost obținute în laborator conform standardelor corespunzătoare. Aceste valori pot varia în funcție de utilizarea produsului și condițiile ambientale.

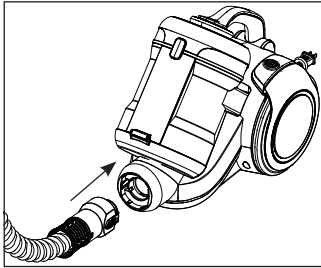
## 3 Utilizare

### 3.1 Destinația de utilizare

Produsul este destinat pentru uzul casnic și nu este adecvat pentru uz industrial.

### 3.2 Atașarea/detașarea furtunului

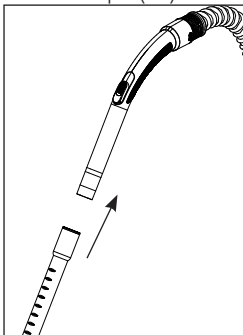
1. Pentru atașarea furtunului (17) trageți de racordul acestuia în direcția săgeții până când este aliniat cu carcasa.



- Mânerele de pe racordul furtunului (7) trebuie să fie așezate corect.
2. Pentru a scoate furtunul (17) apăsați pe mânerul de pe racordul furtunului (7) și trageți.

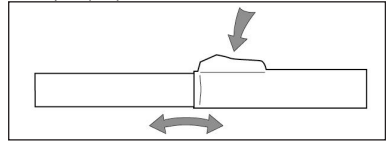
### 3.3 Atașarea/detașarea tubului telescopic

1. Atașați tubul telescopic (14) la mâner (16).



2. Scoateți tubul telescopic (14) din mâner (16) pentru a-l înlătura.

3. Glisați clema de reglare a tubului telescopic înainte și înapoi pentru a lungi sau micșora tubul telescopic (14).



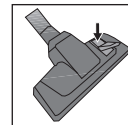
### 3.4 Atașarea/detașarea periei pentru parchet/covor

1. Atașați tubul telescopic (14) la peria pentru parchet/covor (9).
2. Trageți tubul telescopic (14) din peria pentru parchet/covor (9) pentru a-l scoate.

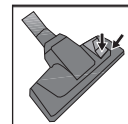
### 3.5 Reglarea periei pentru parchet/covor

Efectuați următoarele acțiuni asupra clicheului de reglare de pe peria de parchet/covor (9);

- Folosiți poziția "|||||", pentru pardoseli tari și parchet.



- Folosiți poziția "◊" pentru carpete și covoare.



### 3.6 Operarea

1. După desfășurarea cablului de alimentare localizat în partea posterioară a produsului, conectați produsul.

## 3 Utilizare

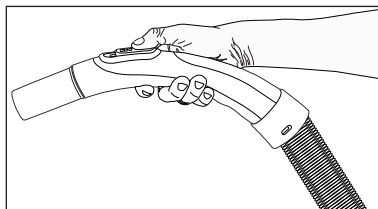


**AVERTISMENT:** Nu mai trageți cablul aparatului atunci când ajunge la semnalul galben localizat pe acesta. După semnul galben vine semnul roșu. Nu trageți mai mult după ce ați ajuns la semnul roșu.

2. Apăsăți butonul pornit/oprit (1) pentru a porni aparatul.

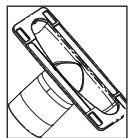
### 3.6.1 Reglarea puterii de aspirare

Puteți ajusta puterea de aspirare de la butonul de ajustare a puterii de aspirare (15) de pe mâner (16). Cu cât deschideți mai mult mecanismul, cu atât va scădea puterea de aspirare.



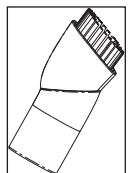
### 3.7 Accesorii

#### Accesoriu de aspirare pentru mobila tapită



Potrivită pentru curățarea pardoselilor, treptelor scărilor, interiorul mașiniilor, canapelelor, fotoliilor etc

#### Peria pentru praf



Potrivită pentru curățarea perdelelor, și obiectelor sensibile și fragile.



**AVERTISMENT:** Nu efectuați curățarea prin utilizarea componentei finale (16) a mânerului.

### 3.8 Extensia turbo

Extensia turbo (18) vă permite să curățați părul de pe covoare mai rapid și mai eficient. Puteți să înlăturați cu ușurință chiar și părul care este dificil de înlăturat, cum ar fi părul de câine sau de pisică.

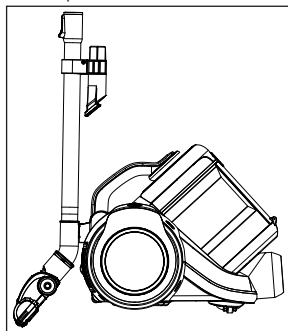
Pe suprafețele în care utilizarea extensiei turbo este dificilă (18), împingeți reglajul aflat pe aceasta în direcția indicată de săgeată.

### 3.9 Avertismente cu privire la eticheta de energie

Acesta este un aspirator de uz general. Pentru a atinge cea mai înaltă eficiență energetică și cea mai bună clasă de performanțe de curățare specificate în curățarea covoarelor și parchetului, utilizați peria de înaltă performanță pentru parchet/covor (9). Valorile specificate privind eticheta de energie au fost determinate conform unor metode de măsurare predeterminate (conform EN60312-1).

### 3.10 Oprirea aspiratorului și caracteristica de parcare

1. După utilizare, opriți produsul utilizând butonul pornit/oprit (1) și scoateți-l din priză.
2. Introduceți mânerul periei de parchet/carpetă (9) în fanta de poziționare localizată în partea posterioară a produsului.



## 4 Curățarea și îngrijirea

Înainte de curățare, opriți produsul și scoateți din priză.



**AVERTISMENT:** Nu utilizați niciodată benzină, solvent, agenți abrazivi de curățare, obiecte metalice sau raclete dure pentru curățarea aparatului.

### 4.1 Indicator de praf

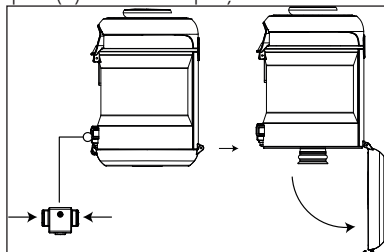
În cazul în care containerul de praf sau furtunul este blocat de un obiect mare precum o șosetă, iar aspirarea este astfel împiedicată, indicatorul de praf de lângă buton Pornit/Oprit luminează roșu.



**AVERTISMENT:** În cazul în care containerul de praf este gol, înseamnă că un obiect mare (precum o șosetă) este blocat în furtun sau în tub, iar astfel circulația aerului este blocată. În astfel de cazuri, opriți produsul și verificați componentele.

### 4.2 Golirea containerului de praf

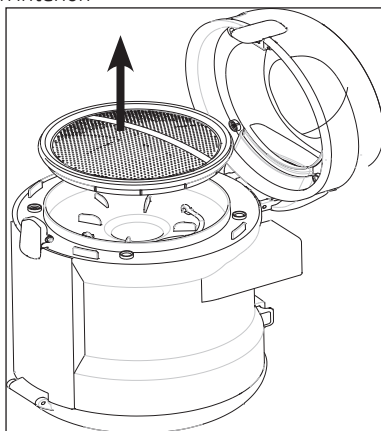
1. Apăsăți pe butonul de eliberare a containerului de praf (2) pentru a scoate recipientul de praf (5).
2. Apăsăți pe clema de îndepărtare a containerului de praf aflată în partea din spate a containerului de praf (5) din ambele părți.



- Deschideți capacul recipientului de praf (5) și goliți-l.
3. După ce l-ați golit de praf, închideți capacul recipientului (5); se va auzi un clic.
  4. Introduceți recipientul de praf (5) la locul său.

### 4.3 Curățarea separatorului ciclonic

1. Apăsăți pe butonul de eliberare a recipientului de praf (2) pentru a scoate recipientul de praf.
2. Apăsăți butonul de deschidere pentru carcasa filtrului de protecție a motorului (MIF) (8) și deschideți capacul.
3. Îndepărtați filtrul de protecție a motorului (MIF) din interior.



4. După îndepărtarea filtrului de protecție a motorului, veți vedea mânerul de metal de pe separatorul ciclonic. Ținând de acest mâner, scoateți separatorul ciclonic din recipientul de praf (5).
5. Separatorul ciclonic și recipientului de praf (5) trebuie curățate cu ajutorul unei perii moi și șterse cu un material textil umed.



**AVERTISMENT:** Separatorul ciclonic nu trebuie imersat în apă.

## 4 Curățarea și îngrijirea

### 4.4 Curățarea filtrelor

Înlocuiți filtrele în mod regulat, în funcție de frecvența de uz. Este recomandat să înlocuiți filtrele o dată la 6 luni pentru uz mediu.

Atunci când goliți praful strâns în recipientul de colectare a prafului pentru a-l curăța, trebuie să curățați și filtrul de protecție a motorului, filtrul de spumă și filtrul HEPA.



**AVERTISMENT:** Nu utilizați produse ce produc aer cald cum ar fi uscătorul de păr sau radiatorul pentru uscarea filtrelor.



**AVERTISMENT:** Nu montați filtrele fără a le usca complet; în caz contrar mirosul de umezeală poate apărea în timpul utilizării, apa se poate scurge din partea posterioară a produsului sau filtrele se pot deteriora.

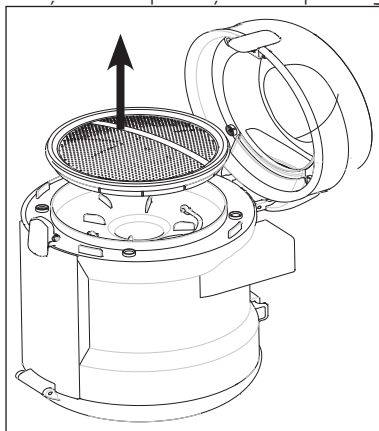


**AVERTISMENT:** Fixați filtrele la locurile lor după uscare.

#### 4.4.1 Filtru de protecție al motorului (MIF)

Filtrul este localizat în recipientul de praful.

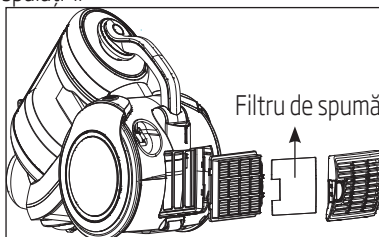
1. Apăsăți pe butonul de eliberare a recipientului de praful (2) pentru a scoate recipientul de praful (5).
2. Apăsăți butonul de deschidere pentru carcasa filtrului de protecție a motorului (MIF) (8).
3. Scoateți filtrul de protecție motor prin tragere.



4. După scuturare, spălați-l sub jet de apă, stoarceți-l ușor și lăsați-l să se usuce (minimum 24 h).

#### 4.4.2 Filtru de spumă

1. Apăsăți clema de deschidere a capacului din spate pentru a deschide capacul.
2. Scoateți filtrul de spumă din spatele protecției și spălați-l.



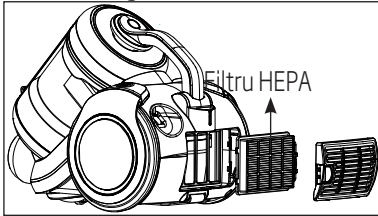
3. După scuturare, spălați-l sub jet de apă, stoarceți-l ușor și lăsați-l să se usuce (minimum 24 h).



## 4 Curățarea și îngrijirea

### 4.4.3 Filtrul HEPA

1. Apăsăți clema de deschidere a capacului din spate pentru a deschide capacul și a îndepărta filtrul HEPA, trăgându-l din mâner.



2. Spălați filtrul sub apă curentă după ce l-ați scuturat.
3. Dacă spălați filtrul HEPA, uscați-l la temperatura camerei (timp de minimum 24 h). Nu îl folosiți fără a vă asigura că este complet uscat.
4. Pentru a rezista o perioadă mai lungă de timp, în loc să-l spălați, loviți filtrul HEPA de o suprafață dură. Astfel, praful acumulat în filtrul HEPA va ieși în timp ce acesta este lovit de o suprafață dură.

### 4.5 Depozitarea

- Dacă intenționați să nu utilizați produsul pentru o perioadă lungă de timp, depozitați-l cu grijă.
- Scoateți produsul din priză.
- Păstrați produsul într-un loc inaccesibil copiilor.

### 4.6 Manevrarea și transportul

- În timpul manevrării și transportului, transportați produsul în ambalajul său original. Ambalajul produsului îl protejează împotriva deteriorării fizice.
- Nu plasați obiecte grele pe aparat sau pe ambalaj. Produsul poate fi deteriorat.
- Lovirea produsului îl poate face nefuncțional sau poate cauza deteriorarea iremediabilă.



# CERTIFICAT DE GARANȚIE

Tensiune de alimentare/frecvență: 230V/50Hz

Importator: ARCTIC S.A., Găești, Dâmbovița, str. 13 Decembrie nr. 210, email: office@arctic.ro

TIP:  Aspirator  Fier de călcat

Model / Serie: .....

## VÂNZĂTOR

Nr. factură:.....Data: .....

Semnătura și  
Ștampila

Vânzător (firma, localitatea): .....

## CUMPĂRĂTOR

Nume .....Localitatea .....

Str. ....Nr. ....Bloc .....Sc. ....Et. ....Ap. ....

Județ ..... Telefon .....E-mail .....

S-a efectuat proba de funcționare a aparatului, s-a prezentat modul de folosire, s-au predat  
instrucțiunile de utilizare și toate accesoriile. Am primit aparatul în perfectă stare de funcționare.

Semnătura

**CERTIFICATUL DE GARANȚIE DEVINE VALID DACĂ ESTE SEMNAT ȘI ȘTAMPILAT DE VÂNZĂTOR, ALTFEL APARATUL ÎȘI PIERDE GARANȚIA!**

Stimați clienți,

La cumpărare vă recomandăm să solicitați efectuarea probei de funcționare și verificați existența instrucțiunilor de utilizare și a accesoriilor. Pentru a putea beneficia de toate avantajele produselor și serviciilor noastre vă rugăm:

- să citiți cu atenție și să respectați recomandările prezentate în "Instrucțiunile de utilizare".
  - să păstrați cu grijă acest certificat pentru a-l putea prezenta (împreună cu factura sau chitanța fiscală), personalului SERVICE ARCTIC, la orice sesizare efectuată în perioada de garanție.
- Vă mulțumim că ați optat pentru cumpărarea unui aparat Beko!

**Durata medie de utilizare a produselor BEKO este de 5 ani!**

**Perioada de garanție legală de conformitate este de 2 ani de la intrarea produsului în posesia consumatorului.**

Art. 22, alin. 3-6, din L449/2013, modificata de OG 9/2016:

- (3) Timpul de nefuncționare din cauza lipsei de conformitate apărute în cadrul termenului de garanție prelungeste termenul de garanție legală de conformitate și cel al garanției comerciale și curge, după caz, din momentul la care a fost adusă la cunoștința vânzătorului lipsa de conformitate a produsului sau din momentul prezentării produsului la vânzător/unitatea service până la aducerea produsului în stare de utilizare normală și, respectiv, al notificării în scris în vederea ridicării produsului sau predării efective a produsului către consumator.
  - (4) Produsele de folosință îndelungată care înlocuiesc produse defecte în cadrul termenului de garanție vor beneficia de un nou termen de garanție care curge de la data preschimbării produsului.
  - (5) Produsele de folosință îndelungată defectate în termenul de garanție legală de conformitate, atunci când nu pot fi reparate sau când durata cumulată de nefuncționare din cauza deficiențelor apărute în termenul de garanție legală de conformitate depășește 10% din durata acestui termen, la cererea consumatorului, vor fi înlocuite de vânzător sau acesta va restitui consumatorului contravaloarea produsului respectiv.
  - (6) Termenul de garanție curge de la data intrării bunului respectiv în posesia consumatorului, inclusiv pentru bunurile noi de folosință îndelungată, obținute prin tragere la sorți la tombole, câștigate la concursuri și similare sau acordate cu reducere de preț ori gratuit de către operatorii economici.
- Garanția oferită de producător nu exclude garanția de viciu ascuns, conform OG21/1992 (R2) privind protecția consumatorului și codul civil.

Service-ul acestui produs este asigurat de ARCTIC S.A. cu sediul în Găești, Dâmbovița, str. 13 Decembrie nr. 210.

\*9010 • www.arctic.ro • e-mail: [service@arctic.ro](mailto:service@arctic.ro) • Program: Luni - Vineri 08:00 - 20:00; Sâmbătă 09:00 - 17:00

ATENȚIE! Cupoanele vor fi desprinse de reprezentantul SERVICE ARCTIC la efectuarea reparației în garanție.



## UNITĂȚILE SERVICE ALE ARCTIC S.A. EXECUTĂ REPARAȚII ÎN TERMENUL DE GARANȚIE ȘI ÎN AFARA ACESTUIA

Nr. crt.	Data Reclamației	Data primirii în reparație	Reparat		Reparația curentă și/sau componenta înlocuită	Prelungirea termenului de garanție	Efectuarea verificării	
			Programat	Data ridicării aparatului			Cauza întârzierii	SERVICE

### CONDIȚIILE GARANȚIEI LEGALE DE CONFORMITATE

1. Garanția se aplică numai dacă factura sau chitanța fiscală împreună cu acest certificat (cu talonul completat de către vânzător) sunt prezentate împreună cu aparatul reclamat. Pentru orice defecțiune aparută în perioada de garanție sau post-garanție, apelezi la magazinul de unde a fost achiziționat produsul sau direct la Call Center Arctic.
2. Termenul de garanție se prelungește cu timpul scurs de la data semnării defectului și până la data repunerii aparatului în stare de funcționare.
3. Prelungirea termenului de garanție se va înscrice în certificatul de garanție de către unitatea SERVICE care a efectuat reparația.
4. Garanția acoperă repararea și/sau înlocuirea pieselor constatate ca defecte (necauzate de consumator) de către tehnicienii Service Arctic.
5. Înainte de cumpărare solicităm efectuarea probei de funcționare și verificarea existenței tuturor accesoriilor și a instrucțiunilor de utilizare.
6. Aparatul trebuie să funcționeze corespunzător și să nu prezinte defecțe vizibile ale pieselor și accesoriilor.
7. Termenul de realizare a operațiilor de reparare, înlocuire sau întreținere este de 15 zile calendaristice de la data la care cumpărătorul a sesizat defecțiunea la magazinul de unde a achiziționat produsul sau direct la Call Center Arctic.

### Reclamațiile ulterioare cumpărării referitoare la:

- a) lămpile de iluminare sau semnalizare;
- b) accesoriile care nu au defecțe ascunse de material constatate de tehnicienii Service Arctic;
- c) piesele și accesoriile lipsă sau care prezintă lovituri, zgârieturi sau spărturi, se rezolvă numai contracost.

### APARATUL NU BENEFICIAZĂ DE GARANȚIE LEGALĂ DE CONFORMITATE ÎN URMĂTOARELE CAZURI:

1. Nu au fost respectate instrucțiunile de transport, manipulare, instalare și întreținere prescrite.
2. Subansamblurile și accesoriile casabile care se deteriorează în timpul transportului vor fi înlocuite de vânzător (în cazul în care asigură transportul).
3. Garanția nu se acordă subansamblelor și accesoriilor casabile ale produselor care suferă deteriorări din vina consumatorului.
4. Tensiunea de alimentare are valori care nu se încadrează în limitele prevăzute de standarde (SREN 50160).
5. Instalarea electrică a utilizatorului prezintă improvizații sau neconformități.
6. Aparatul a fost folosit în alte scopuri decât cel pentru care a fost proiectat.
7. Aparatul a suportat intervenții (reparații, modificări) din partea unor persoane neautorizate de producător.




**Drepturile consumatorului sunt cele prevăzute în Legea 449/2003 (R1), OG 21/1992 (R2) și OG 9/2016, cu modificările și completările în vigoare.**

# Najprej preberite uporabniški priročnik!

Spoštovana stranka, zahvaljujemo se vam, da ste se odločili za nakup izdelka Beko. Upamo, da bo izdelek, ki je bil izdelan z visokokakovostno in najnovejšo tehnologijo, upravičil vaše zaupanje. Zato pred uporabo naprave preberite celoten uporabniški priročnik in vso ostalo priloženo dokumentacijo ter jo shranite kot referenco za prihodnjo uporabo. Če napravo predate komu drugemu, zraven priložite še uporabniški priročnik. Upoštevajte navodila ter vse informacije in opozorila v uporabniškem priročniku.

## Pomen simbolov

V različnih razdelkih tega priročnika so uporabljeni naslednji simboli:

	Pomembne informacije in uporabniški nasveti o uporabi.
	<b>OPOZORILO:</b> Opozorila za nevarne situacije, ki zadevajo varnost življenja in lastnine.
	Varnostni razred za zaščito pred električnim udarom.



Ta izdelek je bil izdelan v okolju prijaznih in sodobnih proizvodnih obratih.



Ne vsebuje PCB.  
Izdelano v P.R.C.

# 1 Pomembna navodila za varnost in okolje

V tem poglavju so varnostna navodila za zaščito pred telesnimi poškodbami in stvarno škodo.

Neupoštevanje teh navodil izniči vsako garancijo.

## 1.1 Splošna varnost

- Ta naprava je v skladu z mednarodnimi varnostnimi standardi.
- Otroci od 8. leta starosti ter osebe z zmanjšanimi fizičnimi, senzornimi ali psihičnimi sposobnostmi ali s pomanjkanjem izkušenj in znanja lahko napravo uporabljajo le, če so pod nadzorom ali pa so prejeli ustrezna navodila glede varne uporabe naprave in razumejo nevarnosti, ki so povezane z uporabo le-te. Otroci se ne smejo igrati z napravo. Otroci ne smejo izvajati čiščenja in vzdrževanja, razen če so pod nadzorom odraslih.
- Ne uporabljajte naprave, če sta napajalni kabel ali naprava sama poškodovana. Obrnite na pooblaščen servis.
- Omrežje napajanja mora biti v skladu s podatki, ki so na voljo na ploščici s tehničnimi navedbami na napravi.
- Omrežna napetost naprave mora biti zavarovana vsaj s -16ampersko varovalko.
- Ne uporabljajte naprave s podaljševalnim kablom.
- Da električnega kabla ne bi poškodovali, ga ne stiskajte, upogibajte ter preprečite, da bi se drgnil ob ostre robove.
- Naprave se nikoli ne dotikajte z vlažnimi ali mokrimi rokami.
- Med odklapanjem naprave nikoli ne vlecite za napajalni kabel.
- Ne sesajte vnetljivih materialov in ko sesate cigaretni pepel, se prepričajte, da je ohlajen.
- Ne sesajte vode ali drugih tekočin.
- Napravo zaščitite pred dežjem, vlago in viri toplote.
- Naprave nikoli ne uporabljajte v ali v bližini mest, kjer se nahajajo gorljivi ali vnetljivi materiali.

# 1 Pomembna navodila za varnost in okolje

- Pred začetkom čiščenja ali vzdrževanja izklopite napravo iz omrežja.
- Naprave ali njenega napajalnega kabla nikoli ne čistite tako, da ju potopite v vodo.
- Redno pregledujte cev naprave. Če je poškodovana, naprave ne uporabljajte in se obrnite na pooblaščen servis.
- Naprave ne razstavljajte.
- Uporabljajte samo originalne dele ali dele, ki jih priporoča proizvajalec.
- Naprave ne uporabljajte brez filtrov; v nasprotnem primeru se lahko poškoduje.
- Med sesanjem stopnic mora biti naprava pod uporabnikom.
- Embalažni material shranjujte izven dosega otrok.

## 1.2 Skladnost z direktivo OEE0 in odstranjevanjem odpadnih izdelkov



Izdelek je v skladu z direktivo EU OEE0 (19/2012/EU). Izdelek vsebuje simbol za razvrstitev odpadne električne in elektronske opreme (OEE0).

Izdelek je bil izdelan z visokokakovostnimi sestavnimi deli in materiali, ki jih je mogoče ponovno uporabiti in so primerni za recikliranje. Odsluženega odpadnega izdelka ne odlagajte z običajnimi gospodinjstvi in drugimi odpadki. Odnesite ga na center za zbiranje in recikliranje električne in elektronske opreme. Za informacije o teh centrih za zbiranje se obrnite na lokalne oblasti.

## 1.3 Skladnost z direktivo RoHS

Izdelek, ki ste ga kupili, je v skladu z direktivo EU RoHS (65/2011/EU). Ne vsebuje škodljivih in prepovedanih materialov, ki so navedeni v direktivi.

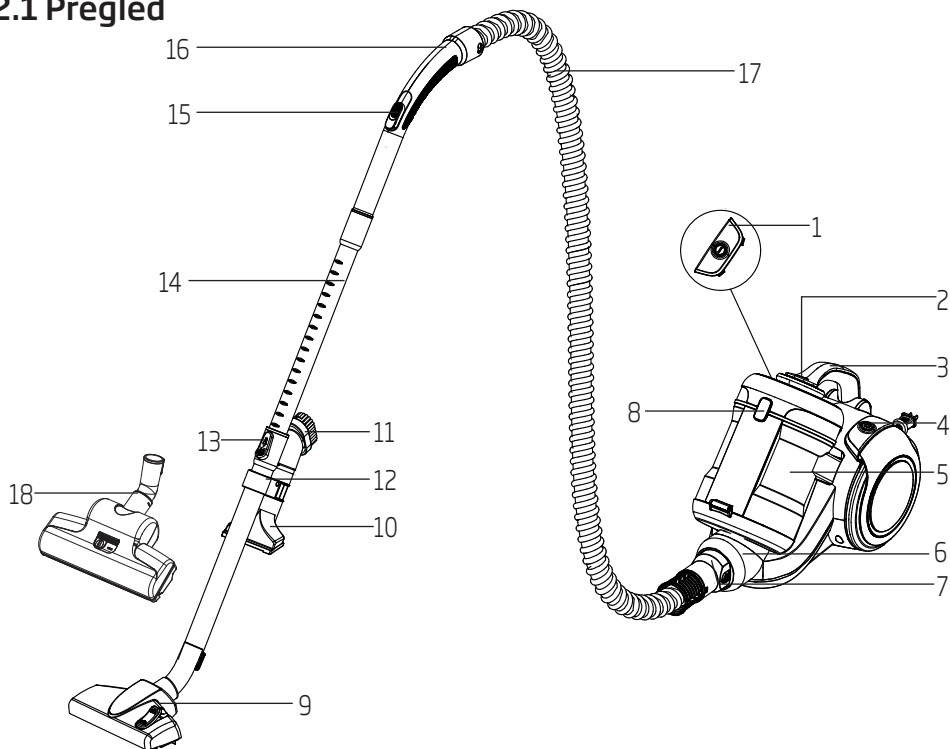
## 1.4 Embalaža izdelka



Embalaža izdelka je izdelana iz materiala, ki ga je mogoče reciklirati. Embalažni material odložite v skladu z veljavnimi zakonskimi predpisi, da se ta material vključi v postopek recikliranja, in tako varujete okolje.

## 2 Sesalnik

### 2.1 Pregled



1. Gumb za vklop/izklop
2. Gumb za sprostitev posode za prah
3. Nosilni ročaj
4. Gumb za navijanje kabla
5. Posoda za prah
6. Sesalna šoba
7. Pokrovček cevi
8. Gumb za odpiranje ohišja filtra za zaščito motorja (MIF)
9. Krtača za parket/preprogo
10. Nastavek za oblažinjeno pohištvo
11. Krtača za prah
12. Nosilec za nastavke
13. Zapah za nastavek teleskopske cevi
14. Teleskopska cev
15. Nadzor nastavitve moči sesanja
16. Ročaj
17. Cev
18. Turbo ščetka

### 2.2 Tehnični podatki

<b>Moč</b>	: 800 W
<b>Napajalna napetost</b>	: 220-240 V ~, 50-60 Hz
<b>Prostornina posode za prah</b>	: 2,8 l
<b>Doseg delovanja</b>	: 11 m
<b>Filter</b>	: HEPA13
<b>Pobiranje prahu na preprogi</b>	: C
<b>Pobiranje prahu na trdi površini</b>	: A
<b>Oddajanje prahu</b>	: A
<b>Energijski razred</b>	: A

Pridržujemo si pravico do tehničnih in oblikovnih sprememb.

Vrednosti, ki so navedene na oznakah na izdelku ali drugih tiskanih dokumentih, ki so priloženi izdelku, predstavljajo vrednosti, ki so bile pridobljene v laboratorijih, ki so v skladu z veljavnimi standardi. Te vrednosti se lahko razlikujejo glede na uporabo naprave in pogoje v prostoru.

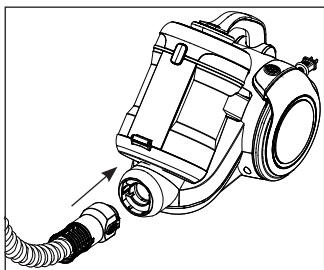
## 3 Uporaba

### 3.1 Namen uporabe

Ta naprava je oblikovana za uporabo v gospodinjstvu in ni primerna za industrijsko uporabo.

### 3.2 Pritrjevanje/odstranjevanje cevi

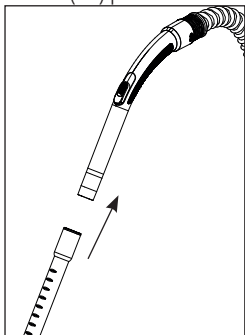
1. Če želite pritrditi cev (17), potiskajte pokrovček cevi v smeri puščice, dokler ni poravnana z ohišjem.



- Zavihki na pokrovčku cevi (7) morajo biti pravilno nameščeni.
2. Če želite odstraniti cev (17), pritisnite zavihke na pokrovčku cevi (7) in jo povlecite.

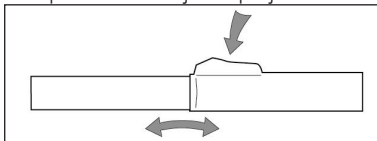
### 3.3 Pritrjevanje/odstranjevanje teleskopske cevi

1. Teleskopsko cev (14) pritrdite na ročaj (16).



2. Teleskopsko cev (14) povlecite z ročaja (16) in jo odstranite.

3. Teleskopsko cev (14) lahko podaljšate ali skrajšate, tako da zdrsnete zapah za nastavitev teleskopske cevi nazaj in naprej.



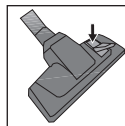
### 3.4 Pritrjevanje/odstranjevanje krtače za parket/preprogo

1. Teleskopsko cev (14) pritrdite na krtačo za parket/preprogo (9).
2. Teleskopsko cev (14) povlecite s krtače za parket/preprogo (9) in jo odstranite.

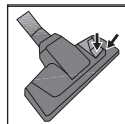
### 3.5 Namestitev krtače za parket/preprogo

Pri zapahu za nastavitev, ki se nahaja na krtači za parket/preprogo (9), upoštevajte naslednje ukrepe:

- Položaj »|||||« uporabite za trde površine in parket.



- Položaj »|◊|« uporabite za preproge.



### 3.6 Delovanje

1. Povlecite napajalni kabel na hrbtni strani naprave in vključite napravo v napajanje.



## 3 Uporaba

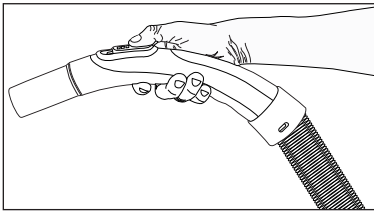


**OPOZORILO:** Prenehajte vleči, ko zagledate rumeno oznako na kابلu. Za rumeno oznako pride rdeča oznaka. Ne vlecite več, ko pridete do rdeče oznake.

2. Za vklop naprave pritisnite gumb za vklop/izklop (1).

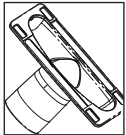
### 3.6.1 Nastavitev moči sesanja

Moč sesanja lahko nastavite z nadzorom nastavitve moči sesanja (15) na ročaju (16). Bolj kot odprete kontrolnik, bolj se bo zmanjšala moč sesanja.



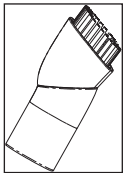
### 3.7 Nastavki

#### Nastavek za oblazinjeno pohištvo



Primerno za čiščenje talnih oblog, stopnic, notranjosti avtomobilov, kavčev, foteljev itd.

#### Krtača za prah



Primerna za čiščenje zaves in občutljivih predmetov.



**OPOZORILO:** Naprave ne čistite z uporabo končnega dela ročaja (16).

### 3.8 Turbo nastavek

Turbo nastavek (18) omogoča hitrejše in učinkovitejše sesanje dlak s preprog. Tako lahko enostavno odstranite tudi težje odstranljive dlake, kot so paske ali mačje dlake.

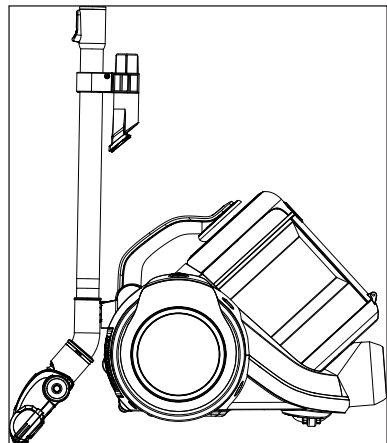
Na površinah, kjer težko premikate turbo nastavek (18), potisnite drsnik na nastavku v smeri puščice.

### 3.9 Opozorila v zvezi z energijsko oznako

To je sesalnik za splošno uporabo. Da bi dosegli najvišjo energetsko učinkovitost in zmogljivostni razred čiščenja, ki sta določena za čiščenje preproge in parketa, uporabite visokozmogljivo krtačo za parket/preprogo (9). Navedene vrednosti glede energijske oznake so bile določene v skladu z vnaprej določenimi merilnimi metodami (v skladu z EN60312-1).

### 3.10 Izklop in pospravljanje sesalnika

1. Ko prenehate z uporabo naprave, jo izklopite s pritiskom gumba za vklop/izklop (1) in jo izključite iz napajanja.
2. Kavelj krtače za parket/preprogo (9) vstavite v kanal za parkiranje, ki se nahaja na zadnjem delu naprave.



## 4 Čiščenje in vzdrževanje

Pred začetkom čiščenja izključite in odklopite napravo iz napajanja.



**OPOZORILO:** Za čiščenje naprave ne uporabljajte bencina, topil ali abrazivnih čistil, kovinskih predmetov ali trdih krtač.

### 4.1 Indikator prahu

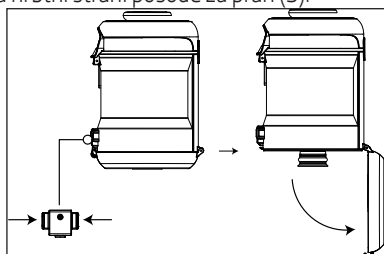
Če je posoda za prah polna ali pa je cev zamašena z večjim predmetom, kot je npr. nogavica, in to preprečuje sesanje, indikator prahu zraven gumba za vklop/izklop zasveti rdeče.



**OPOZORILO:** Če je posoda za prah prazna, to pomeni, da je cev zamašena z večjim predmetom (kot je npr. nogavica), ki blokira pretok zraka. V teh primerih izklopite napravo in preverite njene sestavne dele.

### 4.2 Praznjenje posode za prah

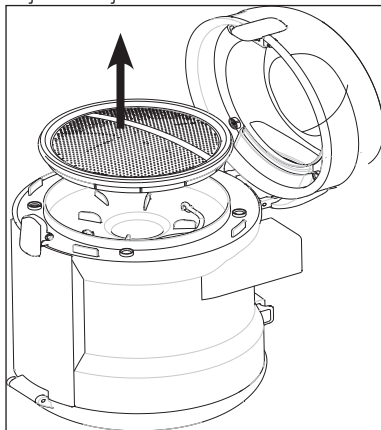
1. Pritisnite gumb za sprostitve posode za prah (2) in odstranite posodo za prah (5).
2. Na obeh straneh potisnite zapaha za odstranjevanje posode za prah, ki se nahajajo na hrbtni strani posode za prah (5).



- Odprite pokrov posode za prah (5) in posodo izpraznite.
3. Ko izpraznite posodo za prah, zaprite pokrov posode za prah (5); slišali boste klik.
  4. Posodo za prah (5) vstavite nazaj na njeno mesto.

### 4.3 Čiščenje ciklonskega ločevalnika

1. Pritisnite gumb za sprostitve posode za prah (2) ter odstranite posodo za prah.
2. Pritisnite gumb za odpiranje ohišja filtra za zaščito motorja (MIF) (8) in odprite pokrov.
3. Odstranite filter za zaščito motorja (MIF), ki se nahaja znotraj.



4. Ko boste odstranili filter za zaščito motorja, boste na ciklonskem ločevalniku videli kovinski ročaj. Primite za ta ročaj in odstranite ciklonski ločevalnik od posode za prah (5).
5. Ciklonski ločevalnik in predel posode za prah (5) očistite z mehko krtačo ter ju obrišite z vlažno krpo.



**OPOZORILO:** Ciklonskega ločevalnika ne smete potopiti v vodo.

## 4 Čiščenje in vzdrževanje

### 4.4 Čiščenje filtrov

Filtre odstranjajte redno in glede na pogostost uporabe. Priporočeno je, da ob povprečni uporabi filtre zamenjate vsakih 6 mesecev.

Ko odstranjujete prah iz posode za prah, da bi posodo očistili, morate očistiti tudi filter za zaščito motorja, penasti filter in filter HEPA.



**OPOZORILO:** Za sušenje filtrov ne uporabljajte naprav, ki oddajajo vroč zrak, kot je sušilnik las ali grelnik.



**OPOZORILO:** Filtrov ne nameščajte, če niso popolnoma suhi; v nasprotnem primeru se lahko med delovanjem pojavi vonj po vlagi, voda lahko odteka iz hrbtne strani naprave ali pa se poškodujejo filtri.

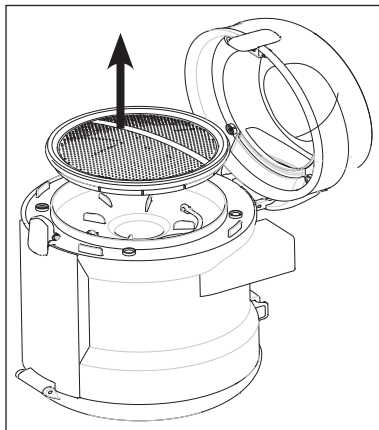


**OPOZORILO:** Ko se filtri posušijo, jih pritrдите na njihovo mesto.

#### 4.4.1 Filter za zaščito motorja (MIF)

Filter se nahaja na posodi za prah.

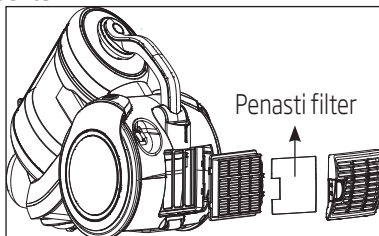
1. Pritisnite gumb za sprostitev posode za prah (2) ter odstranite posodo (5).
2. Pritisnite gumb za odpiranje ohišja filtra za zaščito motorja (MIF) (8).
3. Filter za zaščito motorja odstranite tako, da ga povlečete.



4. Filter stresite, operite pod tekočo vodo, ga nežno ožemite in pustite, da se posuši (za najmanj 24 ur).

#### 4.4.2 Penasti filter

1. Zadnji pokrov pritisnite navzdol, da se odpre zapah, ki odpre pokrov.
2. Odstranite penasti filter za pokrovom in ga operite.

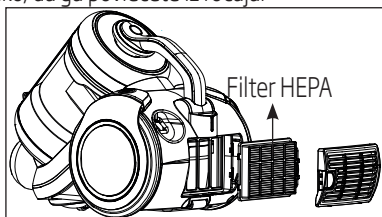


3. Filter stresite, operite pod tekočo vodo, ga nežno ožemite in pustite, da se posuši (za najmanj 24 ur).

## 4 Čiščenje in vzdrževanje

### 4.4.3 Filter HEPA

1. Zadnji pokrov pritisnite navzdol, da se odpre zapah, ki odpre pokrov. Filter HEPA odstranite tako, da ga povlečete iz ročaja.



2. Filter najprej stresite in ga nato operite pod vodo.
3. Če filter HEPA operete, ga pustite, da se posuši na sobni temperaturi (za najmanj 24 ur). Počakajte, da se popolnoma posuši in ga šele nato ponovno uporabite.
4. Za daljšo življenjsko dobo filtra HEPA ne perite, ampak ga očistite tako, da ga udarite ob trdo površino. Ko filter HEPA udarite ob trdno površino, se prah, ki se je nabral na filtru HEPA, odstrani.

### 4.5 Shranjevanje

- Če naprave ne želite uporabljati dlje časa, jo skrbno shranite.
- Izklopite napravo iz omrežja.
- Napravo shranjujte izven dosega otrok.

### 4.6 Premikanje in prevoz

- Med premikanjem in prevozom naprave jo prenašajte v originalni embalaži. Embalaža ščiti napravo pred fizičnimi poškodbami.
- Na napravo ali embalažo ne polagajte težkih bremen. Naprava se lahko poškoduje.
- Padec naprave lahko povzroči nedelovanje ali trajno okvaro.




# Vänligen läs denna bruksanvisning först!

Kära kund,

Tack för att du valt denna Beko-produkt. Vi hoppas att du får det bästa resultatet från din apparat som har tillverkats med hög kvalitet och den senaste tekniken i världsklass. Läs därför hela bruksanvisningen och alla andra medföljande dokument noga innan du använder apparaten och förvara dem som referens för framtida bruk. Om du överlämnar apparaten till någon annan, ge även instruktionsboken. Följ instruktionerna genom att uppmärksamma all information och varningar i bruksanvisningen.

## Symbolernas betydelse

Följande symboler används i de olika delarna av bruksanvisningen:

	Viktig information och användbara tips om användning.
	<b>WARNING:</b> Varningar för farliga situationer som rör säkerheten för liv och egendom.
	Skyddsklass för elektriska stötar.



Denna produkt har tillverkats i miljövänliga moderna anläggningar.



Innehåller inte PCB.  
Tillverkad i Folkrepubliken Kina.

## 1 Viktig säkerhets- och miljöinformation

Det här avsnittet innehåller säkerhetsinstruktioner som hjälper dig att undvika skador på person och materiell egendom.

Om du inte följer dessa instruktioner gäller inte garantin.

### 1.1 Allmän säkerhet

- Denna apparat överensstämmer med internationella säkerhetsnormer.
- Denna apparat kan användas av barn som från 8 års ålder och uppåt samt av personer som har nedsatt fysiska, perceptuella eller mentala förmågor eller av människor som har brister när det gäller erfarenhet och kunskap så länge de övervakas och ges anvisningar om säker användning av apparaten och faror som kan uppstå. Barn får inte leka med apparaten. Rengöring och underhåll får inte utföras av barn om de inte övervakas av en vuxen.
- Om strömkabeln eller själva apparaten är skadad, använd den inte. Kontakta en auktoriserad service.

- Din nätspänning bör överensstämma med uppgifterna på apparatens märkplåt.
- Elnätet där du kommer att använda apparaten måste minst säkras med en 16 A säkring.
- Använd ingen förlängningsladd med apparaten.
- För att undvika skador på strömkabeln, förhindra att den pressas, böjs eller gnuggas mot vassa kanter.
- Rör inte apparatens kontakt när den är inkopplad med fuktiga eller våta händer.
- Dra inte i nätkabeln när du drar apparaten.
- Dammsug inte lättantändliga material och när du dammsuger cigarett aska, se till att den har svalnat.
- Dammsug inte vatten eller andra vätskor.
- Skydda apparaten från regn, fukt och värmekällor.

# 1 Viktig säkerhets- och miljöinformation

- Använd aldrig apparaten i eller i närheten av platser där brännbara eller lättantändliga miljöer eller material finns.
- Dra ut kontakten för apparaten innan rengöring och underhåll.
- Sänk aldrig ned apparaten eller dess strömkabel i vatten för rengöring.
- Kontrollera enhetens slang regelbundet. Använd inte om den är skadad och kontakta en auktoriserad service.
- Demontera aldrig enheten.
- Använd endast originaltillbehör eller de som rekommenderas av tillverkaren.
- Använd inte apparaten utan filter; annars kan den skadas.
- Vid dammsugning av trappor, bör apparaten placeras under användaren.
- Om du sparar förpackningsmaterialet, förvara det utom räckhåll för barn.

## 1.2 I enlighet med WEEE-direktivet för hantering av avfallsprodukter



Den här produkten gäller under EU WEEE-direktivet (19/2012/EU). Den här produkten är försedd med en klassificeringssymbol för avfallshantering av elektriskt och elektroniskt material (WEEE).

Denna produkt är tillverkad med delar av hög kvalitet samt material som kan återanvändas och återvinnas. Produkten får inte slängas i hushållssoporna eller i annat avfall vid livsslut. Ta den till en återvinningsstation för elektrisk och elektronisk utrustning. Kontakta din kommun för mer information om närmaste återvinningsstation.

## 1.3 I enlighet med RoHS-direktivet

Produkten du har köpt gäller under EU RoHS-direktivet (65/2011/EU). Den innehåller inga av de farliga eller förbjudna material som anges i direktiven.

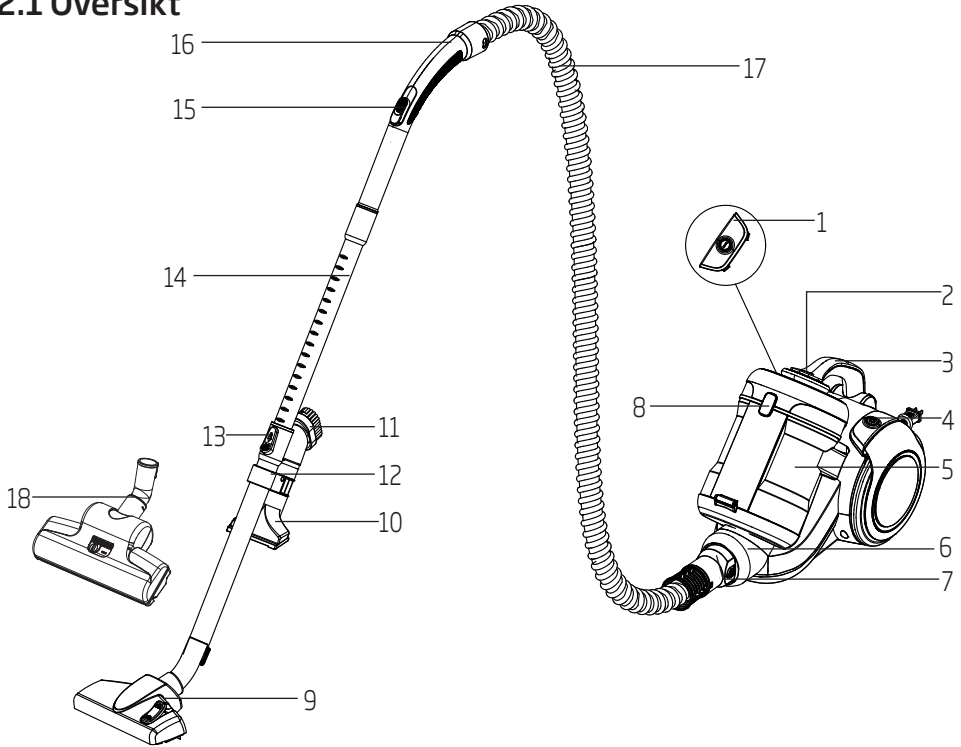
## 1.4 Produktförpackning



Förpackningen för din produkt är tillverkad av återvinningsbart material. Se till att förpackningsmaterialet avyttras enligt gällande lokala regler för att inkludera materialet i återvinningsprocess för miljöskydd.

## 2 Din dammsugare

### 2.1 Översikt



1. På/av-knapp
2. Dammbehållarens borttagningsknapp
3. Bärhandtag
4. Kabellindningsknapp
5. Dammbehållare
6. Sugmunstycke
7. Slanglock
8. Öppningsknapp för motorskyddsfiltrets (MIF) hölje
9. Parkett / mattborste
10. Möbelmunstycke
11. Dammborste
12. Tillbehörsväska
13. Teleskoprörets justeringsspärr
14. Teleskoprör
15. Effektreglering sugkontroll
16. Handtag
17. Slang
18. Turboborste

### 2.2 Tekniska data

<b>Effekt</b>	: 800 W
<b>Strömförsörjning</b>	:
220-240 V~, 50-60Hz	
<b>Dammbehållarvolym</b>	: 2,8 l
<b>Driftsradi</b>	: 11 m
<b>Filter</b>	: HEPA13
<b>Damminsamling på matta</b>	: C
<b>Damminsamling på hård yta</b>	: A
<b>Dammutsläpp</b>	: A
<b>Energiklass</b>	: A

Teknik- och designmodificeringar kan göras utan föregående meddelande.

De värden som deklarerats i de märkningar som fästs på apparaten eller andra tryckta handlingar som medföljer den representerar de värden som erhålls i laboratorier i enlighet med relevanta standarder. Dessa värden kan variera beroende på produktanvändning och omgivande förhållanden.



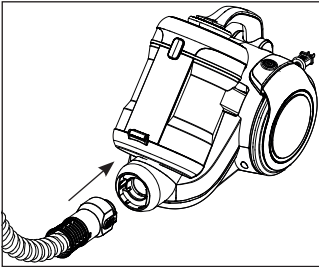
## 3 Användning

### 3.1 Avsedd användning

Apparaten är designad för hushållsbruk och är inte lämplig för industriell användning.

### 3.2 Fästa / ta bort slangen

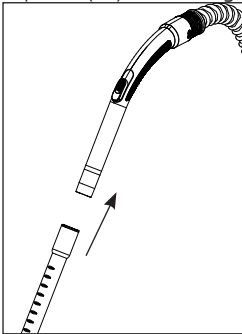
1. För att fästa slangen (17), skjut slanglocket i pilens riktning tills den är i linje med höljet.



- Sidorna på slanglocket (7) måste vara korrekt positionerade.
2. För att ta bort slangen (17), tryck på sidorna av slanglocket (7) och dra i det.

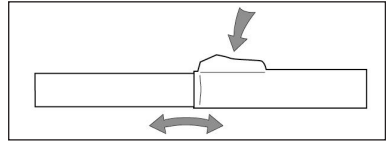
### 3.3 Fästa / ta bort teleskoprotet

1. Fäst teleskoprotet (14) till handtaget (16).



2. Dra teleskoprotet (14) från handtaget (16) för att ta bort det.

3. Du kan förlänga eller förkorta teleskoprotet (14) genom att skjuta teleskoprotets justeringsspär fram och tillbaka.



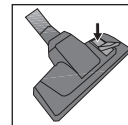
### 3.4 Fästa / ta bort parkett / mattborsten

1. Fäst teleskoprotet (14) till parkett / mattborsten (9).
2. Dra teleskoprotet (14) från parkett / mattborsten (9) för att ta bort det.

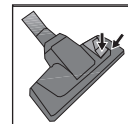
### 3.5 Justera parkett / mattborsten

Utför följande åtgärder på justeringsspärren som finns på parkett / mattborsten (9);

- Använd "|||||"-positionen för hårda golv och parkett.



- Använd "◊"-positionen för filtar och mattor.



### 3.6 Användning

1. Anslut apparaten efter att ha dragit ut strömkontakten som finns på baksidan av apparaten.

## 3 Användning

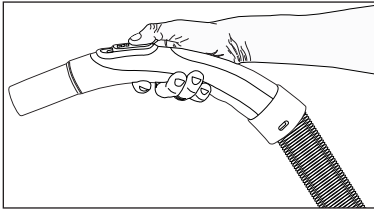


**VARNING:** Sluta dra i kabeln när den gula markeringen som finns på den nås. Efter den gula markeringen, kommer den röda markeringen. Dra inte mer efter att ha nått det röda märket.

2. Tryck på på/av-knappen (1) för att slå på apparaten.

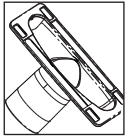
### 3.6.1 Justera sugkraften

Du kan justera sugeffekten med sugeffektskontrollen (15) på handtaget (16). Ju mer du öppna kontrollen, desto mer minskas sugeffekten.



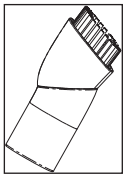
### 3.7 Tillbehör

#### Möbelmunstycke



Lämplig för rengöring av golv, trappsteg, insidan av bilar, soffor, fåtöljer etc.

#### Dammborste



Lämplig för rengöring av gardiner, och känsliga och ömtåliga föremål.



**VARNING:** Städa inte med hjälp av handtagets (16) änddel.

### 3.8 Turbomunstycke

Turbomunstycket (18) gör det möjligt att ta bort hår på mattor på ett snabbare och mer effektivt sätt. Således kan du även enkelt ta bort hår som är svåra att ta bort såsom hundhår eller katthår.

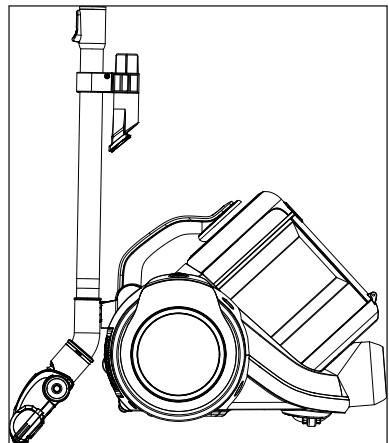
På ytor där det är svårt att röra turbomunstycket (18), tryck på skjutreglaget som finns på munstycket i pilens riktning.

### 3.9 Varningar angående energimärkningen

Detta är en dammsugare avsedd för allmänna ändamål. För att nå den högsta energieffektiviteten och rengöringseffektsklassen som anges i matt- och parkettrengöring, använd den högpresterande parkett / mattborsten (9). De angivna värdena för energimärkningen bestämdes enligt de fördefinierade mätmetoderna (i enlighet med EN 60312-1).

### 3.10 Stänga av dammsugaren och parkeringsfunktionen

1. Efter användning, slå av apparaten med på/av-knappen (1) och dra ur kontakten.
2. Sätt parkett / mattborstens krok (9) i parkeringsspåret som finns vid den bakre delen av apparaten.



## 4 Rengöring och skötsel

Stäng av och koppla ur apparaten innan den rengörs.



**VARNING:** Använd aldrig bensin, lösningsmedel, slipande rengöringsmedel, metallföremål eller hårda borstar för att rengöra apparaten.

### 4.1 Dammindikator

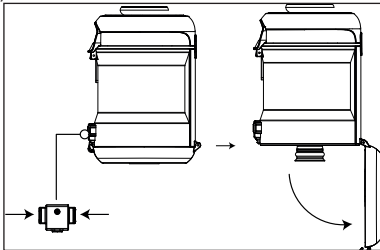
Om dammbehållaren är tom eller om slangen eller röret har blockerats av ett stort föremål som en strumpa så sugförmågan hindras kommer dammindikatorn bredvid på / av-knappen lysa rött.



**VARNING:** Om dammbehållaren är tom, betyder detta att ett stort objekt (till exempel en strumpa) har fastnat i slangen eller röret och därmed är luftflödet blockerat. I sådana fall, stäng av apparaten och kontrollera komponenterna.

### 4.2 Tömma dammbehållaren

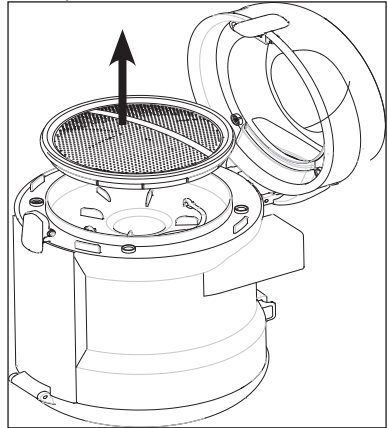
1. Tryck på dammbehållarens borttagningsknapp (2) för att ta bort dammbehållaren (5) och ta bort dammbehållaren.
2. Skjut dammbehållarens borttagningspörrar som är belägna på baksidan av dammbehållaren (5) från båda sidor.



- Öppna skyddet för dammbehållaren (5) och töm den.
3. När du har tömt damm, stäng dammbehållarens lock (5); ett klickljud hörs.
  4. Sätt in dammbehållaren (5) tillbaka på dess plats.

### 4.3 Rengöring av cyklonseparatorn

1. Tryck på dammbehållarens borttagningsknapp (2) och ta bort dammbehållaren.
2. Tryck på öppningsknappen för motorskyddsfiltrets (MIF) hölje (8) och öppna locket.
3. Avlägsna motorskyddsfilter (MIF) som finns placerat på insidan.



4. Efter avlägsnande av motorskyddsfiltret kommer du att se metallhandtaget på cyklonseparatorn. Medan detta handtag hålls, ta bort cyklonseparatorn från dammbehållaren (5).
5. Rengör cyklonavskiljarens och dammbehållarens (5) fack med en mjuk borste och torka dem med en fuktig trasa.



**VARNING:** Cyklonavskiljaren bör inte sänkas ned i vatten.

## 4 Rengöring och skötsel

### 4.4 Rengöra filtren

Byt ut dina filter med jämna mellanrum beroende på användningsfrekvens. Det rekommenderas att du byter filter var 6:e månader vid genomsnittlig användning.

När du tömmer damm som samlats i dammbehållaren för att rengöra behållaren, måste du också rengöra motorskyddsfiltret, skumfiltret och HEPA-filtret.



**WARNING:** Använd inte apparater som producerar varm luft såsom hårtork eller värmare för att torka filtren.



**WARNING:** Installera inte filtren utan att helt torka dem; annars kan lukten av fukt uppstå under användning, vatten kan läcka ut från apparatens baksida eller filter kan skadas.

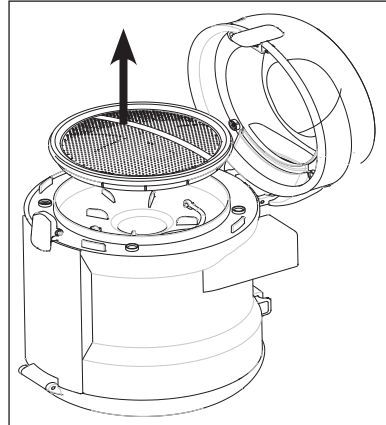


**WARNING:** Fäst filtren till sina platser efter att de torkats.

#### 4.4.1 Motorskyddsfilter (MIF)

Detta filter finns på dammbehållaren.

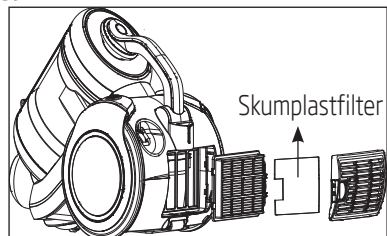
1. Tryck på dammbehållarens borttagningsknapp (2) och ta bort dammbehållaren (5).
2. Tryck på öppningsknappen för motorskyddsfiltrets (MIF) hölje (8).
3. Avlägsna motorskyddsfiltret genom att dra det.



4. Efter att ha skakat av den, tvätta den under rinnande vatten, vrid ur den försiktigt och låt den torka (under minst 24 timmar).

#### 4.4.2 Skumfilter

1. Tryck ner den bakre luckan öppningsspärr för att öppna locket.
2. Avlägsna skumfiltret bakom häljet och rengör det.

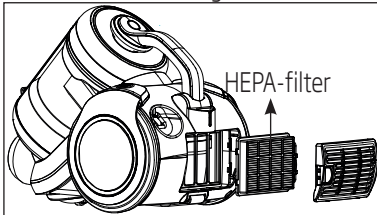


3. Efter att ha skakat av den, tvätta den under rinnande vatten, vrid ur den försiktigt och låt den torka (under minst 24 timmar).

## 4 Rengöring och skötsel

### 4.4.3 HEPA-filter

1. Tryck ner den bakre luckan öppningsspärr för att öppna locket och ta bort HEPA-filtret genom att dra det från dess handtag.



2. Du kan rengöra filtret under rinnande vatten efter att ha skakat det.
3. Om du tvättar HEPA-filtret, torka vid rumstemperatur (i minst 24 timmar). Använd den inte innan du säkerställt att den är helt torr.
4. För en längre livslängd kan du rengöra HEPA-filtret genom att slå det på en hård yta i stället för att tvätta det. Damm som samlats på HEPA-filtret kommer således att lämna filtret när du slår det mot ett hårt golv.

### 4.5 Förvaring

- Om apparaten inte kommer att användas på ett längre tag ska den förvaras ordentligt och skyddat.
- Koppla ur apparaten.
- Förvara enheten utom räckhåll för barn.

### 4.6 Hantering och transport

- Under hantering och transport, bär apparaten i originalförpackningen. Paketeringen av apparaten skyddar mot fysiska skador.
- Placera inga tunga laster på apparaten eller på förpackningen. Apparaten kan skadas.
- Att tappa apparaten kan göra den icke-operativ eller orsaka permanenta skador.




# Nejprve si tento návod přečtěte!

Vážený zákazníku,

Děkujeme, že jste si vybrali tento produkt značky Beko. Doufáme, že s tímto spotřebičem, který byl vyroben s využitím vysoce kvalitní a moderní technologie, dosáhnete těch nejlepších výsledků. Proto si před použitím produktu pečlivě přečtěte celý návod k použití a veškeré doplňující dokumenty, a uchovejte je pro budoucí použití. Pokud spotřebič předáte další osobě, rovněž jí předejte návod k použití. Dodržujte pokyny a věnujte pozornost všem informacím a varováním v návodu k použití.

## Význam symbolů

V různých částech tohoto návodu k použití jsou použity následující symboly:

	Důležité informace a užitečné tipy k použití.
	<b>VAROVÁNÍ:</b> Upozornění na nebezpečné situace týkající se ohrožení života a majetku.
	Třída ochrany před zásahem elektrickým proudem.



Tento produkt byl vyroben v ekologicky šetrných a moderních zařízeních.



Neobsahuje PCB.  
Vyrobeno v Číně.

Tento oddíl obsahuje bezpečnostní pokyny, které pomohou s ochranou před zraněním osob nebo poškozením majetku.

Nedodržení těchto pokynů zruší platnost záruky.

### 1.1 Obecné bezpečnostní pokyny

- Tento spotřebič splňuje požadavky mezinárodních bezpečnostních norem.
- Tento spotřebič mohou používat i děti ve věku nad 8 let a lidé s omezenými tělesnými, smyslovými nebo duševními schopnostmi nebo lidé, kteří trpí nedostatkem zkušeností a znalostí, pokud jsou však pod dohledem a získají pokyny ohledně bezpečného používání spotřebiče a možných rizik. Děti si nesmí se spotřebičem hrát. Čištění a údržba nesmí být prováděny dětmi, pokud na ně nedohlíží starší osoby.
- Nikdy nepoužívejte spotřebič, pokud je poškozen napájecí kabel nebo spotřebič. obraťte se na autorizovaný servis.
- Vaše napájení musí odpovídat informacím uvedeným na štítku spotřebiče.
- Zdroj napájení, přes který spotřebič použijete, musí být chráněn alespoň pojistkou o hodnotě 16 A.
- Pro práci se spotřebičem nepoužívejte prodlužovací kabel.
- Abyste zabránili poškození napájecího kabelu, zabraňte tomu, aby se zmáčknul, ohnul nebo dřel o ostré hrany.
- Nedotýkejte se spotřebiče nebo zástrčky, je-li zapojená a máte mokré ruce.
- Netahejte za napájecí kabel, když spotřebič odpojíte od sítě.
- Nevysávejte hořlavé materiály, a když vysáváte cigaretový popel, zkontrolujte, zda již je vychladlý.
- Nevysávejte vodu ani jiné kapaliny.

- Chraňte spotřebič před deštěm, vlhkostí a zdroji tepla.
- Zařízení nikdy nepoužívejte na nebo v blízkosti hořlavých nebo vznětlivých materiálů.
- Před čištěním a provedením údržby zařízení odpojte.
- Spotřebič nebo jeho napájecí kabel při čištění nikdy neponořujte do vody.
- Pravidelně kontrolujte hadici spotřebiče. Spotřebič nepoužívejte, je-li poškozený, obraťte se na autorizovaný servis.
- Spotřebič nikdy nedemontujte.
- Používejte pouze originální části doporučené výrobcem.
- Spotřebič nepoužívejte bez filtrů; jinak hrozí jeho poškození.
- Při vysávání schodů by měl být spotřebič umístěn níže než uživatel.
- Pokud skladujete obalové materiály, skladujte je mimo dosah dětí.

### 1.2 Shoda se směrnicí WEEE a likvidace produktů



Tento produkt splňuje směrnici EU WEEE (2012/19/EU). Tento výrobek nese symbol pro třídění, platný pro elektrický a elektronický odpad (WEEE).

Tento produkt byl vyroben z vysoce kvalitních součástí a materiálů, které lze znovu použít a které jsou vhodné pro recyklaci. Produkt na konci životnosti nevyhazujte do běžného domácího odpadu. Odvezte ho do sběrného místa pro recyklaci elektrických a elektronických zařízení. Informace o těchto sběrných místech získáte na místních úřadech.

### 1.3 Dodržování směrnice RoHS

Produkt, který jste zakoupili splňuje směrnicí EU RoHS (2011/65/EU). Neobsahuje žádné škodlivé ani zakázané materiály, které jsou směrnicí zakázány.

### 1.4 Balení výrobku

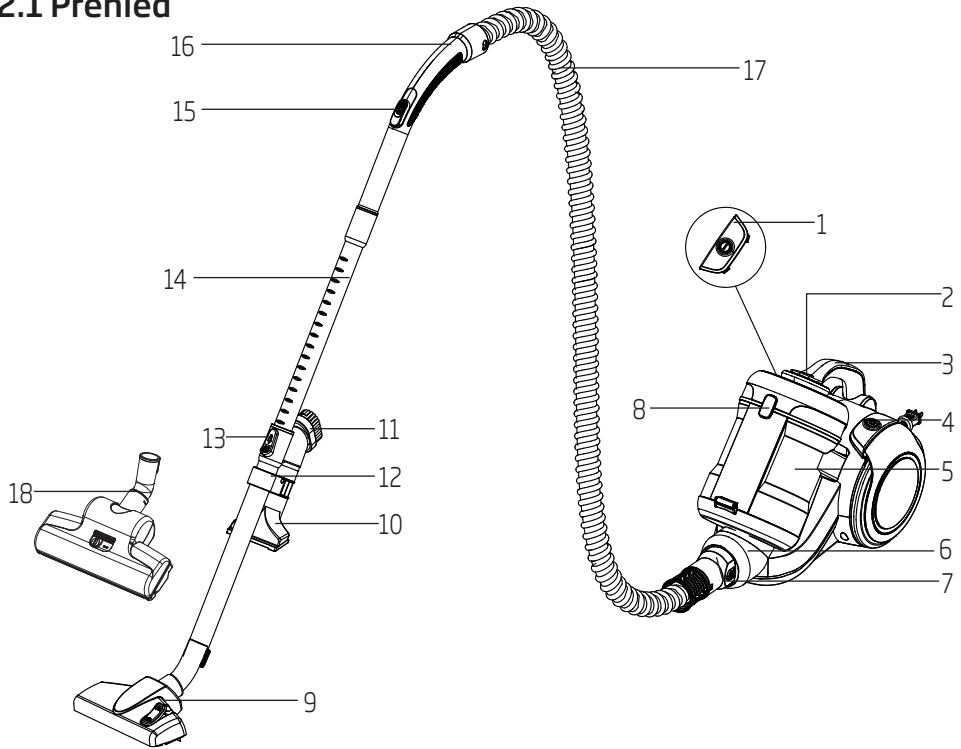


Obaly použité na spotřebiči jsou vyrobené z recyklovatelných materiálů. Zajistěte, aby byly obalové materiály likvidovány v souladu s příslušnými místními pravidly, aby byly materiály zahrnuté do procesu recyklace pro účely ochrany životního prostředí.



## 2 Váš vysavač

### 2.1 Přehled



1. Tlačítko zapnutí/vypnutí
2. Tlačítko pro uvolnění nádoby na prach
3. Rukojeť na přenášení
4. Tlačítko pro navíjení kabelu
5. Nádoba na prach
6. Sací tryska
7. Víčko na hadici
8. Tlačítko pro otevření krytu ochranného filtru motoru (MIF)
9. Kartáč pro vysávání parket/koberce
10. Nástroj na čalouněný nábytek
11. Kartáč na prach
12. Držák příslušenství
13. Zámek nastavení teleskopické trubice
14. Teleskopická trubice
15. Regulátor pro navíjení výkonu
16. Rukojeť
17. Hadice
18. Turbo kartáč

### 2.2 Technické údaje

**Výkon** : 800 W

**Napájecí napětí** :

220-240 V~, 50-60 Hz

**Objem nádoby na prach** : 2,8 L

**Provozní dosah** : 11 m

**Filtr** : HEPA13

**Vysávání prachu na koberci** : C

**Vysávání prachu na tvrdém povrchu** : A

**Emise prachu** : A

**Energetická třída** : A

Technické a vzhledové změny vyhrazeny.

Hodnoty, které jsou deklarované ve značení připojenému k Vašemu spotřebiči nebo v ostatních dodaných tištěných dokumentech představují hodnoty, které byly získány v laboratořích v souladu s příslušnými standardy. Tyto hodnoty se mohou lišit podle použití výrobku a podmínek používání.

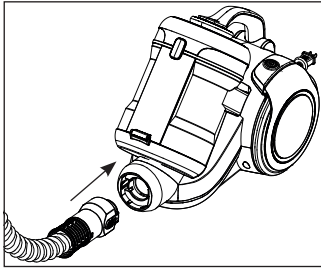
## 3 Použití

### 3.1 Zamýšlené použití

Tento spotřebič byl navržen pro domácí použití a není vhodný pro průmyslové provozy.

### 3.2 Připevnění/uvolnění hadice

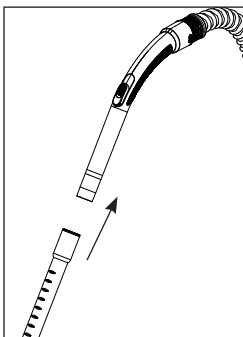
1. Hadici (17) připojte tak, že zatlačíte krytku hadice ve směru šipky, dokud není na úrovni krytu.



- Zarážky na krytce hadice (7) musí být správně nasazené.
2. Hadici (17) odpojte tak, že stisknete zarážky na krytce hadice (7) a vytáhnete ji.

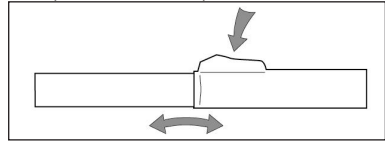
### 3.3 Připevnění/uvolnění teleskopické trubice

1. Teleskopickou trubicí (14) připojte k rukojeti (16).



2. Vytážením teleskopickou trubicí (14) od rukojeti (16) uvolníte.

3. Teleskopickou trubicí (14) můžete prodloužit nebo zkrátit tak, že posunete zámek nastavení teleskopické trubice dopředu a dozadu.



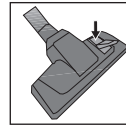
### 3.4 Připevnění/uvolnění kartáče na parkety/koberec

1. Teleskopickou trubicí (14) připojte ke kartáči na parkety/koberec (9).
2. Vytážením teleskopickou trubicí (14) od kartáče na parkety/koberec (9) odpojte.

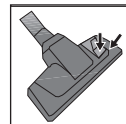
### 3.5 nastavení kartáče na parkety/koberec

Proveďte následující činnosti na zámku nastavení na kartáči na parkety/koberec (9);

- Polohu „“ použijte pro tvrdé podlahy a parkety.



- Polohu „“ použijte pro rohože a koberce.



### 3.6 Provoz

1. Zapojte spotřebič, až vytáhnete zástrčku umístěnou v zadní části spotřebiče.



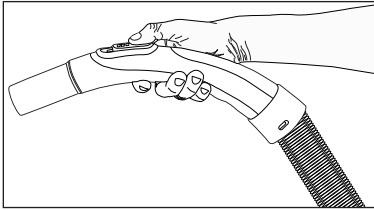
**VAROVÁNÍ:** Netahejte za kabel spotřebiče, jakmile se na něm objeví žlutá značka. Po žluté značce se objeví červená značka. Po červené značce už je zakázáno dále tahat.

## 3 Použití

2. Spotřebič zapnete stisknutím tlačítka Zap/Vyp (1).

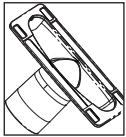
### 3.6.1 Nastavení sacího výkonu

Regulátorem výkonu (15) na rukojeti (16) můžete nastavit sací výkon. Čím více regulátor otevřete, tím více se sníží sací výkon.



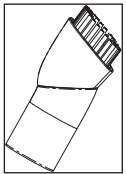
### 3.7 Příslušenství

#### Nástroj na čalouněný nábytek



Vhodný pro čištění podlah, schodových stupňů, vnitřků vozidel, pohovek, křesel atd.

#### Kartáč na prach



Vhodný pro čištění záclon a citlivých a křehkých předmětů.



**VAROVÁNÍ:** K čištění nepoužívejte koncovou část rukojeti (16).

### 3.8 Turbo krytka

Turbo krytka (18) umožňuje čistit chlupy z koberců rychleji a účinněji. Můžete tak dokonce odstranit chlupy, které se nesnadno odstraňují, například psí nebo kočičí chlupy.

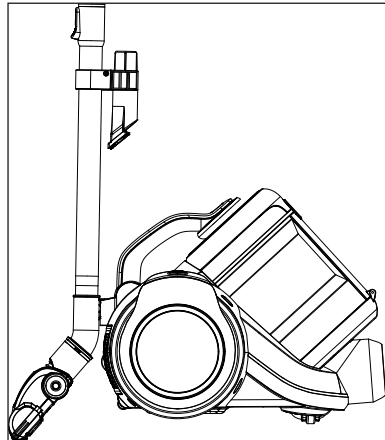
U ploch, kde se turbo krytka nepohybuje snadno (18), zatlačte výčnělek na krytce ve směru šipky.

### 3.9 Varování ohledně energetického štítku

Tento vysavač je určen pro obecné použití. Abyste dosáhli nejvyšší účinnosti využívání energie dle třídy výkonu uvedené pro čištění koberců a parket, použijte vysokovýkonný kartáč na parkety/koberce (9). Stanovené hodnoty týkající se energetického štítku byly stanoveny podle předem definovaných postupů měření (v souladu s EN60312-1).

### 3.10 Vypínání vysavače a funkce parkování

1. Po použití spotřebič vypněte tlačítkem zapnutí/vypnutí (1) a odpojte jej od sítě.
2. Zasuňte háček kartáče na parkety/koberce (9) do parkovací drážky v zadní části spotřebiče.



## 4 Čištění a péče

Spotřebič před čištěním vypněte a odpojte ho ze sítě.



**VAROVÁNÍ:** K čištění spotřebiče nikdy nepoužívejte benzín, rozpouštědlo, abrazivní čisticí prostředky, kovové objekty ani tvrdé kartáče.

### 4.1 Ukazatel naplněné nádoby

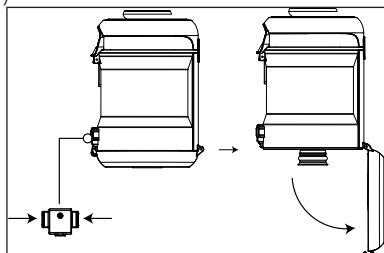
Je-li nádoba na prach plná nebo se hadice nebo trubice ucpe větším předmětem, jako například ponožka, který brání sání, ukazatel naplněné nádoby vedle tlačítka zapnutí/vypnutí se rozsvítí červeně.



**VAROVÁNÍ:** Je-li nádoba na prach prázdná, znamená to, že v hadici nebo trubici uvízl větší předmět (jako například ponožka), který blokuje proud vzduchu. V takových případech spotřebič vypněte a zkontrolujte jednotlivé součásti.

### 4.2 Vysypání nádoby na prach

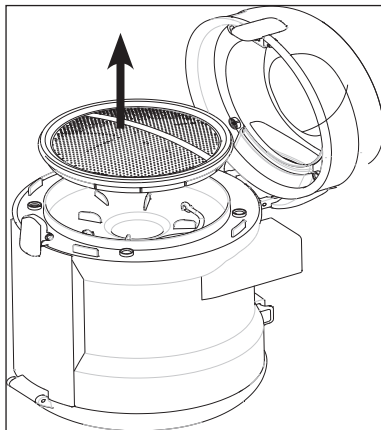
1. Stisknutím tlačítka pro uvolnění nádoby na prach (2) nádobu na prach (5) uvolněte a vyjměte.
2. Z obou stran stiskněte zámky pro uvolnění nádoby na prach v zadní části nádoby na prach (5).



- Otevřete kryt nádoby na prach (5) a nádobu vysypte.
3. Po vysypání prachu zavřete kryt nádoby na prach (5); ozve se zacvaknutí.
  4. Vložte nádobu na prach (5) zpět do výchozí polohy.

### 4.3 Čištění cyklonového separátoru

1. Stiskněte tlačítko pro uvolnění nádoby na prach (2) a nádobu na prach vyjměte.
2. Stiskněte tlačítko pro otevření krytu (8) ochranného filtru motoru (MIF) a kryt otevřete.
3. Vyjměte ochranný filtr motoru (MIF) umístěný uvnitř.



4. Po vyjmutí ochranného filtru motoru uvidíte kovovou rukojeť cyklonového separátoru. S pomocí rukojeti vytáhněte cyklonový separátor z nádoby na prach (5).
5. Vyčistěte cyklonový separátor a prostor pro nádobu na prach (5) měkkým kartáčem a otřete vlhkým hadrem.



**VAROVÁNÍ:** Cyklonový separátor se nesmí ponořit do vody.

## 4 Čištění a péče

### 4.4 Čištění filtrů

Filtry vyměňujte v pravidelných intervalech podle míry použití. Při běžném použití se doporučuje výměna filtrů každých 6 měsíců.

Když vyspáváte prach nahromaděný v prachové nádobě, musíte vyčistit ochranný filtr motoru, pěnový filtr i HEPA filtr.



**VAROVÁNÍ:** K sušení filtrů nepoužívejte elektrické spotřebiče, např. fén nebo topné těleso.



**VAROVÁNÍ:** Filtry neinstalujte, dokud je dokonale nevysušíte; jinak se během používání může objevit vlhký zápach, ze zadní části spotřebiče může vytékat voda nebo může dojít k poškození filtrů.

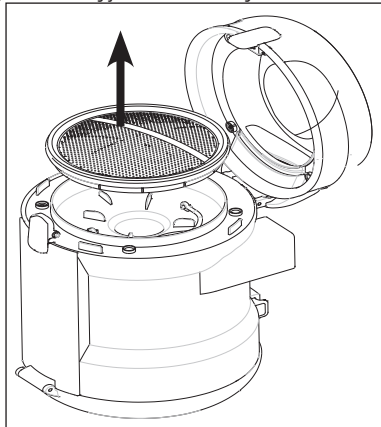


**VAROVÁNÍ:** Po vyschnutí vložte do původní polohy.

#### 4.4.1 Ochranný filtr motoru (MIF)

Tento filtr je umístěn na nádobě na prach.

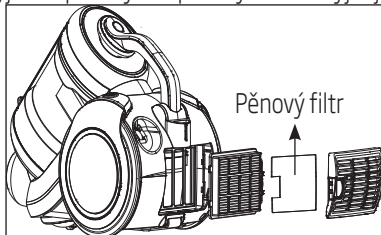
1. Stiskněte tlačítko uvolnění nádoby na prach (2) a nádobu na prach (5) vyjměte.
2. Stiskněte tlačítko pro otevření krytu (8) ochranného filtru motoru (MIF).
3. Vytažením vyjměte ochranný filtr motoru.



4. Po vytřepání jej omyjte pod tekoucí vodou, mírně vyždímejte a nechte vyschnout (po dobu aspoň 24 hodin).

#### 4.4.2 Pěnový filtr

1. Zatlačte zámek otevření zadního krytu a otevřete kryt.
2. Vyjměte pěnový filtr pod krytem a omyjte jej.

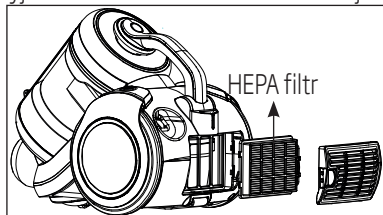


3. Po vytřepání jej omyjte pod tekoucí vodou, mírně vyždímejte a nechte vyschnout (po dobu aspoň 24 hodin).

## 4 Čištění a péče

### 4.4.3 HEPA filtr

1. Zatlačte zámek pro otevření krytu, kryt otevřete a vyjměte HEPA filtr zatáhnutím za rukojeť.



2. Po vytřepání můžete filtr omýt pod tekoucí vodou.
3. Pokud HEPA filtr umyjete, vysušte jej při pokojové teplotě (alespoň 24 hodin). Nepoužívejte jej, dokud nebude dokonale suchý.
4. Životnost HEPA filtru prodloužíte tak, že jej místo omývání vyprášíte úderem o tvrdý povrch. Prach usazený v HEPA filtru se nárazem o tvrdou podlahu uvolní.

### 4.5 Skladování

- Pokud nechcete spotřebič delší dobu používat, důkladně jej uskladněte.
- Odpojte spotřebič.
- Spotřebič skladujte mimo dosah dětí.

### 4.6 Manipulace a přeprava

- Během manipulace a přepravy přenášejte spotřebič v originálním obalu. Obal spotřebič chrání před fyzickým poškozením.
- Na spotřebič ani na obal nestavte žádné těžké předměty. Spotřebič by se mohl poškodit.
- Pokud spotřebič spadne, může přestat fungovat nebo se může vyskytnout trvalé poškození.


# Моля, първо прочетете настоящото ръководство!


Уважаеми клиенти,


Благодарим Ви, че избрахте този уред на „Беко“. Надяваме се да получите отлични резултати от нашия уред, произведен от висококачествени материали по най-модерна технология. По тази причина, преди да преминете към употребата на уреда, Ви молим, първо да прочетете цялото ръководство за употреба, както и другата придружителна документация и да ги запазите за справка в бъдеще. Ако уредът смени собственика си в бъдеще, то предайте и ръководството за употреба заедно с него. Следвайте указанията, като обръщате внимание на цялата информация и предупреждения в инструкцията за употреба.

## Значение на символите

В различните раздели на ръководството са използвани следните символи:

	Важна информация и полезни съвети за употребата.
--	--

	<b>ПРЕДУПРЕЖДЕНИЕ:</b> Предупреждения относно опасни ситуации за здравето и собствеността.
--	---

	Защитен клас за токов удар.
--	-----------------------------



Този продукт е произведен в екологични, съвременни съоръжения.



Не съдържа PCB.  
Произведено в Китай

Този раздел съдържа инструкции за безопасност, които ще ви помогнат да се защитите от риск от нараняване или материална повреда.

Неспазването на инструкциите води до отмяна на предоставената гаранция.

## **1.1 Обща безопасност**

- Този продукт съответства на международните стандарти за безопасност.
- Този уред може да се използва от деца над 8-годишна възраст и от хора с намалени физически, сетивни или умствени способности или от хора, които нямат опит и знания, стига те да се наблюдават и да им се дадат указанията по отношение на безопасната употреба на уреда и срещаните опасности. Децата не трябва да играят с уреда. Почистването и поддържката не трябва да се извършват от деца, освен ако не са контролирани от възрастни.
- Никога не използвайте уреда, ако захранващият кабел или самият уред е повреден. Свържете се с оторизиран сервиз.
- Проверете дали данните за местното електрозахранване отговарят на информацията върху табелката с данни.
- Захранването на уреда трябва да бъде обезопасено с предпазител от минимум 16 А.
- Не използвайте уреда с удължител кабел.
- За да избегнете евентуални повреди на захранващия кабел, не го притискайте, не го прегъвайте и не го търкайте по остри ръбове.
- Никога не пипайте уреда или щепсела, когато са включени, с мокри или влажни ръце.
- Не изключвайте от контакта дърпайки кабела на уреда.
- Не почиствайте с прахосмукачката запалими материали и когато почиствате остатъци от цигари, уверете се, че са изгаснали.



- Не всмуквайте вода или други течности.
- Защитете уреда от дъжд и източници на влага и топлина.
- Никога не използвайте уреда в или в близост до избухливи, възпламеними места и материали.
- Изключете уреда от електрическата мрежа преди почистване и поддръжка.
- Не потапяйте уреда или кабела във вода когато ги почиствате.
- Редовно проверявайте маркуча на уреда. Не използвайте уреда, ако е повреден, и се свържете с упълномощен сервиз.
- Не разглобявайте уреда.
- Използвайте само оригинални части или такива, препоръчани от производителя.
- Не използвайте уреда без филтри; в противен случай може да се повреди.
- При почистване на стълби, уредът трябва да се намира под потребителя.
- Ако решите да запазите опаковъчните материали, пазете ги далеч от деца.

## 1.2 Съвместимост с WEEE Директива за ихвърляне на отпадъчни продукти



Продуктът отговаря на изискванията на директивата на ЕС за ихвърляне на отпадъчни продукти (2012/19/EU). Този продукт носи класификационен символ за отпадъчно електрическо и електронно оборудване (WEEE).

Продуктът е произведен от висококачествени части и материали, които могат да се използват повторно и са подходящи за рециклиране. Не ихвърляйте уреда заедно с обикновените битови и други отпадъци в края на оперативния му живот. Занесете го в събирателния център за рециклиране на електронно и електрическо оборудване. Обърнете се към местните власти за повече подробности относно тези събирателни центрове.

## 1.3 Съвместимост с директивата за ограничаване на употребата на определени опасни вещества

Закупеният от вас продукт отговаря на изискванията на директивата за ограничаване на употребата на определени опасни вещества на ЕС (2011/65/EU). Той не съдържа никой от вредните и забранени материали, описани в Директивата.

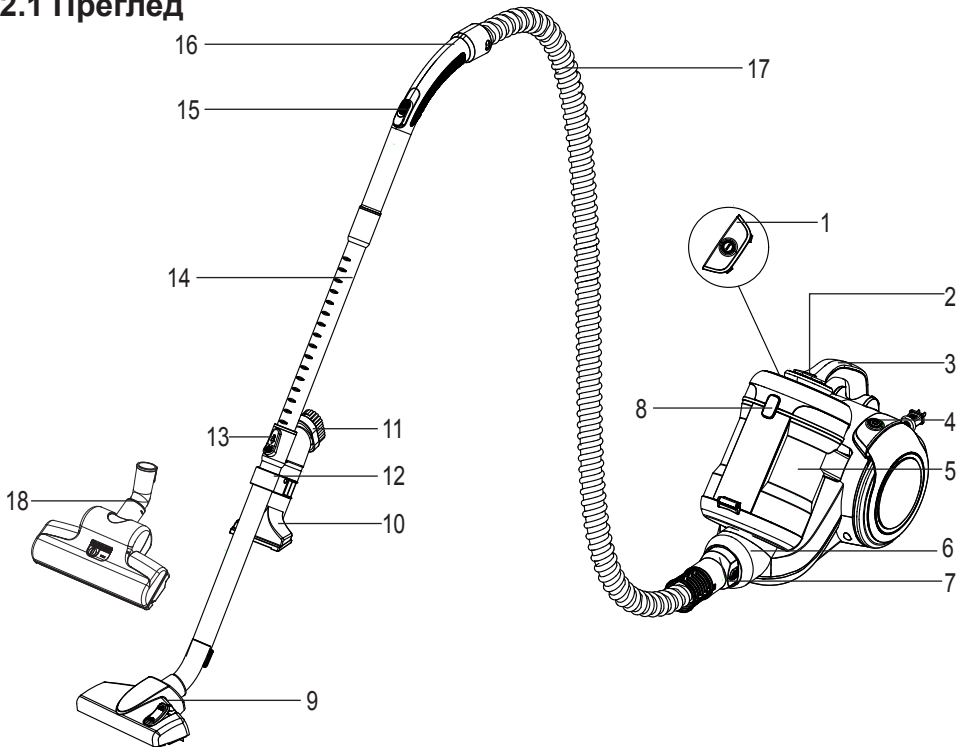
## 1.4 Опаковка на продукта



Опаковката, използвана за вашия уред, е произведена от рециклируеми материали. Моля, за да се включат опаковъчните материали в процес по рециклиране с цел опазване на околната среда, уверете се, че те се ихвърлят съгласно приложимите местни наредби.

## 2 Вашата прахосмукачка

### 2.1 Преглед



1. Бутон „Вкл./Изкл.“
2. Бутон за отстраняване на контейнера за прах
3. Дръжка за носене
4. Бутон за навиване на хранящия кабел
5. Контейнер за прах
6. Засмуквач накрайник
7. Капачка на маркуча
8. Бутон за отваряне на защитния филтър на мотора (MIF) в корпуса
9. Четка за паркет/килим
10. Приставка за тапицирани мебели
11. Четка за прах
12. Носач на аксесоари
13. Телескопична тръба и регулируема блокировка
14. Телескопична тръба
15. Управление на смукателната мощност
16. Ръкохватка
17. Маркуч
18. Турбо четка

### 2.2 Технически данни

<b>Мощност</b>	: 800 W
<b>Захранващо напрежение</b>	: 220-240 V~, 50-60Hz
<b>Обем на контейнера за прах</b>	: 2.8 L
<b>Работен радиус</b>	: 11 м
<b>Филтър</b>	: HEPA13
<b>Почистване на прах от килим</b>	: C
<b>Почистване на прах от твърди повърхности</b>	: A
<b>Емисии прах</b>	: A
<b>Енергиен клас</b>	: A

Правата над технически модификации и промени в дизайна са запазени.

Данните стойности върху фиксираните към уреда обозначения или в други печатните документи, които се доставят с него, представляват стойности, които са получени в лабораторни условия според определените стандарти. Тези стойности може да варира съобразно употребата на уреда и условията в средата.

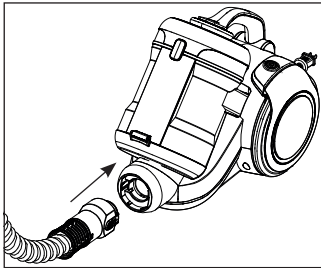
## 3 Употреба

### 3.1 Предназначение

Уредът е създаден да се използва в домове и не е подходящ за индустриална употреба.

### 3.2 Закрепване/отстраняване на маркуча

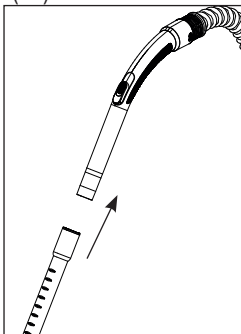
1. За да прикрепите маркуча (17), натиснете капачката му в посоката на стрелката, докато се подравни с корпуса.



- Фиксаторите на капачката на маркуча (7), трябва да бъдат разположени правилно.
2. За да отстраните маркуча (17), натиснете фиксаторите върху капачката му (7), и я издърпайте.

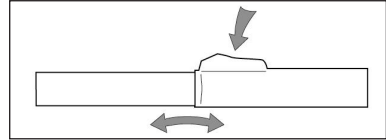
### 3.3 Поставяне/отстраняване на телескопичната тръба

1. Закачете телескопичната тръба (14) към дръжката (16).



2. Издърпайте телескопичната тръба (14) от дръжката (16), за да я отстраните.

3. Можете да разтегнете или да скъсите телескопичната тръба (14) напред и назад, като плъзнете регулируемата блокировка на тръбата напред и назад.



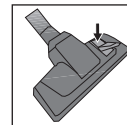
### 3.4 Прикрепване/отстраняване на четката за паркет/килим

1. Закачете четката за паркет/килим (9) към телескопичната тръба (14).
2. Издърпайте телескопичната тръба (14) от четката за паркет/килим (9), за да я отстраните.

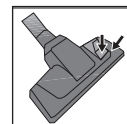
### 3.5 Регулиране на четката за паркет/килим

Извършвайте следните действия с регулируемата блокировка, разположена върху четката за паркет/килим (9);

- Използвайте позиция „|||” за твърди подове и паркет.



- Използвайте позиция „◇” за китеници и килими.



### 3.6 Работа

1. Включете уреда в контакт като издърпате захранващия щепсел от задната му страна.



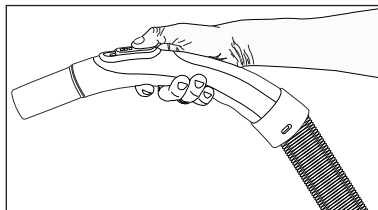
### ПРЕДУПРЕЖДЕНИЕ:

Спрете да дърпате кабела на уреда, когато достигне до жълтата маркировка. След жълтото обозначение следва червено. Не дърпайте повече след достигане на червената маркировка.

2. За да включите уреда, натиснете бутона за вкл./изкл. (1).

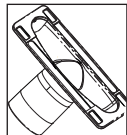
### 3.6.1 Регулиране на всмукателната мощност

Можете да регулирате силата на всмукателната мощност с контрола за настройка на силата на засмукване (15) на дръжката (16). Колкото повече е отворен контролера, толкова повече намалява всмукателната сила.



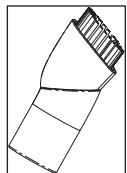
### 3.7 Аксесоари

#### Приставка за тапицирани мебели



Подходяща е за почистване на мокети, стъпала на стълби, вътрешността на автомобили, дивани, фотьойли и други.

#### Четка за прах



Подходяща е за почистване на завеси и чувствителни и чупливи предмети.



### ПРЕДУПРЕЖДЕНИЕ:

Не почиствайте, използвайки крайната част на дръжката (16).

### 3.8 Турбо капачка

Турбо капачката (18) ви дава възможност да почиствате косми от килими по-бързо и по-ефективно. По този начин можете да почиствате лесно дори косми, които е трудно да се почистват, като например такива от куче и котка.

При повърхности, при които имате трудности с движението на турбо капачката (18), преместете плъзгача, намиращ се на капачката, по посока на стрелката.

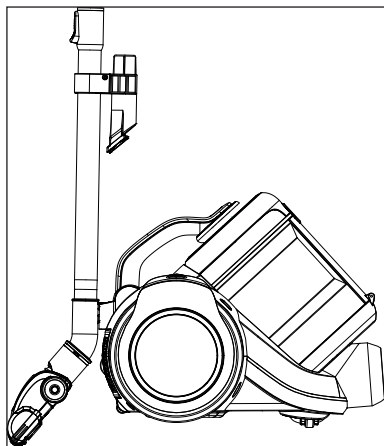
### 3.9 Предупреждения относно енергийния етикет

Това е прахосмукачка с общо предназначение. За да се постигне най-високият клас енергийна ефективност и ефективност на почистване, посочени за почистване на килими и паркетни, използвайте четката за висока ефективност при паркетни/килими (9). Посочените стойности по отношение на енергийния етикет са определени съгласно предварително определени методи

за измерване, (в съответствие с EN 60312-1).

### 3.10 Функция за изключване и прибиране на прахосмукачката

1. След като сте използвали прахосмукачката, изключете уреда от бутона за вкл./изкл. (1) и извадете щепсела от контакта.
2. Поставете куката на четката за паркет/килим в канала за паркиране (9), който се намира от задната страна на уреда.



## 4 Почистване и поддръжка

Преди да почистите уреда, изключете го и извадете щепсела от контакта.



### ПРЕДУПРЕЖДЕНИЕ:

Никога не използвайте бензин, разтворител, абразивен почистващ препарат, метални предмети и твърди четки за почистване на уреда.

### 4.1 Индикатор за прах

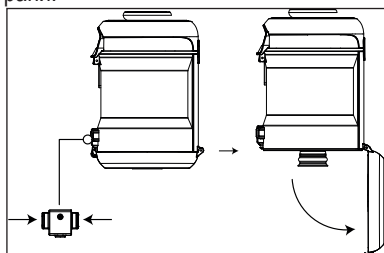
Ако контейнерът за прах е пълен или маркучът или тръбата са блокирани от голяма вещь като чорап, и така засмукването е възпрепятствано, бутонът за прах, който се намира до бутона за включване/изключване, свети в червено.



**ПРЕДУПРЕЖДЕНИЕ:** Ако контейнерът за прах е празен, това означава, че тръбата е блокирана от голяма вещь (като чорап), и така засмукването е възпрепятствано. В такива случаи, изключете уреда и проверете компонентите му.

### 4.2 Поставяне/сваляне на контейнера за прах

1. Натиснете бутона за отстраняване на контейнера за прах (2), за да извадите контейнера за прах (5) и извадете контейнера.
2. Бутнете ключалките за отстраняване на контейнера за прах, разположени в задната част на контейнера за прах (5) от двете страни.

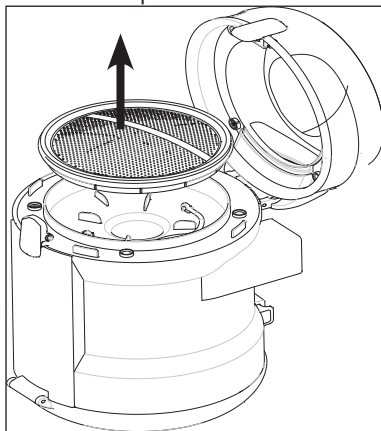


- Отворете капака на контейнера за прах (5) и го изпразнете.

3. След като сте изпразнили контейнера, затворете капака на контейнера за прах (5); ще се чуе щракване.
4. Поставете обратно контейнера за прах (5) на мястото му.

### 4.3 Почистване на циклоновия разделител

1. Натиснете бутона за отстраняване на контейнера за прах (2) и извадете контейнера за прах.
2. Натиснете бутона за отваряне на защитния филтър на мотора (MIF) в корпуса (8) и отворете капака.
3. Извадете защитния филтър на мотора (MIF), разположен вътре.



4. След отстраняване на филтъра за защита на мотора, ще видите металната дръжка на циклоновия разделител. Захващайки за тази дръжка, отстранете циклоновия разделител от контейнера за прах (5).
5. Почистете циклоновия разделител и отделението на контейнера за прах (5) с мека четка и забършете с влажен парцал.



### ПРЕДУПРЕЖДЕНИЕ:

Циклоновият разделител не бива да бъде потапян във вода.

## 4 Почистване и поддръжка

### 4.4 Почистване на филтрите

Подменяйте вашите филтри на редовни интервали, в зависимост от честотата на употреба. Препоръчва се, при нормална употреба, да замените филтрите на всеки 6 месеца.

Когато почиствате натрупаната прах в контейнера за прах, трябва да почистите защитния филтър на мотора, филтъра от пяна и филтъра HEPA също.



**ПРЕДУПРЕЖДЕНИЕ:** За изсушаване на филтрите, не използвайте уреди, създаващи поток от топъл въздух, например сешоари.



**ПРЕДУПРЕЖДЕНИЕ:** Не поставяйте филтрите, ако не са напълно изсъхнали; в противен случай е възможно да се образува мирис на влага по време на употреба. Възможно е, изтичане на вода от задната страна на уреда или повреда във филтрите.

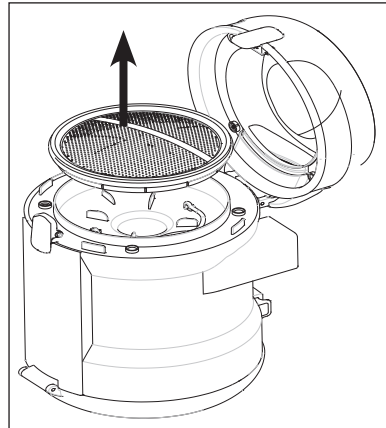


**ПРЕДУПРЕЖДЕНИЕ:** След като са изсъхнали филтрите, поставете ги на местата им.

#### 4.4.1 Защитен филтър на мотора (MIF)

Този филтър е разположен на контейнера за прах.

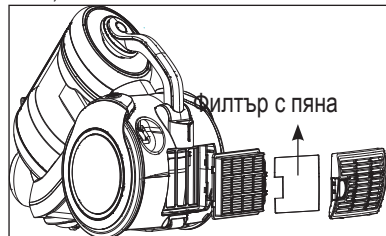
1. Натиснете бутона за отстраняване на контейнера за прах (2) и извадете контейнера (5).
2. Натиснете бутона за отваряне на защитния филтър на мотора (MIF) в корпуса (8).
3. Отстранете филтъра за защита на мотора, като го изтеглите.



4. След като го изтръскате, измийте го под обилно течаща вода, изцедете го внимателно и го оставете да изсъхне (за най-малко 24 часа).

#### 4.4.2 Филтър за пяна

1. Натиснете надолу лостчетата на задния капак, за да го отворите.
2. Извадете филтъра за пяна, намиращ се зад капака, и го измийте.

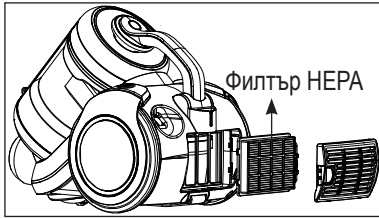


3. След като го изтръскате, измийте го под обилно течаща вода, изцедете го внимателно и го оставете да изсъхне (за най-малко 24 часа).

#### 4.4.3 HEPA филтър

1. Натиснете надолу лостчетата на задния капак, за да го отворите, и извадете филтъра HEPA, като го изтеглите за дръжката му.

## 4 Почистване и поддръжка



2. Можете да измиете филтъра под течаща вода и след това да го изтръскате.
3. Ако миете HEPA филтъра, изсушете го при стайна температура (за най-малко 24 часа). Не го използвайте преди да се убедите, че е той е напълно сух.
4. За да увеличите продължителността на живота му, можете да почистите филтъра HEPA, като го изтупате в твърда повърхност, вместо да го миете. Така, като го удряте в твърда повърхност, събраната прах във филтъра HEPA ще излезе.

### 4.5 Съхранение

- Ако не възнамерявате да използвате уреда за продължителен период от време, го съхранете внимателно.
- Изключете уреда от електрическата мрежа.
- Пазете уреда далеч от деца.

### 4.6 Пренасяне и транспортиране

- По време на пренасяне и транспортиране, поставете уреда в неговата оригинална опаковка. Опаковката на уреда го предпазва от физически повреди.
- Не поставяйте тежки товари върху уреда или върху неговата опаковка. Уредът може да се повреди.
- Изпускането на уреда може да причини спиране на работата му или да доведе до трайна повреда.



# Kérjük, először olvassa el ezt a kézikönyvet!

Tisztelt nagyra értékelt Ügyfelünk!

Köszönjük, hogy ezt a Beko alkalmazást választotta! Reméljük, hogy a legjobb eredményeket éri el a készülékével, amelyet jó- és csúcsmínőségű technológiákkal gyártottunk. Ezért kérjük, a készülék használata előtt olvassa el alaposan a felhasználói kézikönyvet és minden más mellékelt dokumentumot is, majd őrizze meg azokat későbbi használatra. Ha a készüléket átadja valaki másnak, akkor ne felejtse el azzal együtt a felhasználói készüléket is odaadni. Kövesse az utasításokat, ügyelve a felhasználói kézikönyv összes információjára és figyelmeztetésére.

## A szimbólumok jelentése

Az alábbi jelöléseket a kézikönyv különböző részeiben használtuk:



Fontos információk és hasznos tippek a használathoz.



**FIGYELEM:** Figyelmeztetések az életveszélyes és tulajdoni károkat okozó veszélyes helyzetek elkerülése érdekében.



Az áramütés elkerülésének védelmi osztálya.



Ezt a terméket környezetbarát, modern üzemekben gyártottuk.



Nem tartalmaz PCB anyagot.  
P.R.C.-ben készült.

Ez a fejezet olyan biztonsági utasításokat tartalmaz, amely segíti a személyi sérülések és az anyagi károk elkerülését.

Amennyiben nem követi az utasításokat, az esetleges jótállások érvénytelennek minősülnek.

### 1.1. Általános biztonság

- Az alkalmazás megfelel a nemzetközi biztonsági szabványoknak.
- Ezt a készüléket felügyelet alatt, illetve a készülék biztonságos használatára és a lehetséges veszélyekre vonatkozó utasításoknak megfelelően a 8 éves és annál idősebb gyermekek, valamint a csökkent fizikai, észlelési és szellemi képességekkel rendelkező személyek, illetve kevés tapasztalattal vagy tudással rendelkezők is használhatják. Ne engedje a készülékkel játszani a gyereket. A tisztítást és az ápolást csak felnőtt felügyelete alatt végezhetik gyerekek.
- Ha a tápkábel vagy maga a készülék láthatólag sérült, akkor ne használja. Vegye fel a kapcsolatot egy illetékes szervizvel.
- A hálózati tápegységnek meg kell felelnie a készülék adattábláján megjelölt információknak.
- Legalább 16 A biztosítéknak kell védenie azt a hálózati tápegységet, amelyen a készüléket használni fogja.
- Ne használjon hosszabbító kábelt.
- A tápkábel védelme érdekében óvja az összenyomódástól, hajlódástól, illetve az éles szélektől.
- Ne érintse meg a dugót vizes vagy nedves kézzel, amikor csatlakoztatja az alkalmazást.
- Ne húzza ki a tápkábelt az alkalmazás kihúzásakor.
- Ne porszívózzon fel gyúlékony anyagokat és cigarettahamu porszívózásakor is győződjön meg róla, hogy a hamu már kihűlt.

# 1 Fontos biztonsági és környezetvédelmi utasítások

- Ne porszívózzon fel vizet vagy más folyadékot.
- Védje a készüléket a csapadéktól a páratartalomtól és a hőforrásoktól.
- Soha ne használja vagy tegye a készüléket éghető vagy gyúlékony anyagok közelében.
- Tisztítás és karbantartás előtt kapcsol és húzza ki a készüléket.
- Tisztításhoz ne merítse vízbe a készüléket vagy a tápkábelt.
- Rendszeresen ellenőrizze a készülék gumicsövét. Ha a készülék sérült, akkor ne használja azt és vegye fel a kapcsolatot egy illetékes szervizzel.
- Ne szerelje szét a készüléket.
- Kizárólag az eredeti vagy a gyártó által javasolt alkatrészeket használja.
- Szűrők nélkül ne használja a készüléket; különben megsértheti azt.
- A lépcsők porszívózásakor a készülék soha nem lehet alacsonyabban, mint a felhasználó.
- Ha megtartja a csomagolóanyagokat, akkor tartsa azokat gyermekek által nem hozzáférhető helyen.

## 1.2. A WEEE-irányelvnek való megfelelés és a hulladék termék megsemmisítése



A termék megfelel az uniós WEEE-irányelv (19/2012/EU) követelményeinek. A terméken megtalálható az elektromos és elektronikus hulladékok besorolására vonatkozó szimbólum (WEEE).

A terméket magas minőségű alkatrészekből és anyagokból állították elő, amelyek ismételten felhasználhatók és alkalmasak az újrahasznosításra. A hulladék terméket annak élettartamának végén ne a szokásos háztartási vagy egyéb hulladékkal együtt selejtezze le. Vigye el azt egy az elektromos és elektronikus berendezések újrahasznosítására szakosodott begyűjtőhelyre. A begyűjtőhelyek kapcsán kérjük, tájékozódjon a helyi hatóságoknál.

## 1.3 Az RoHS-irányelvnek való megfelelés

Az Ön által megvásárolt termék megfelel az uniós RoHS-irányelv (65/2011/EU) követelményeinek. A termék nem tartalmaz az irányelvben meghatározott káros vagy tiltott anyagokat.

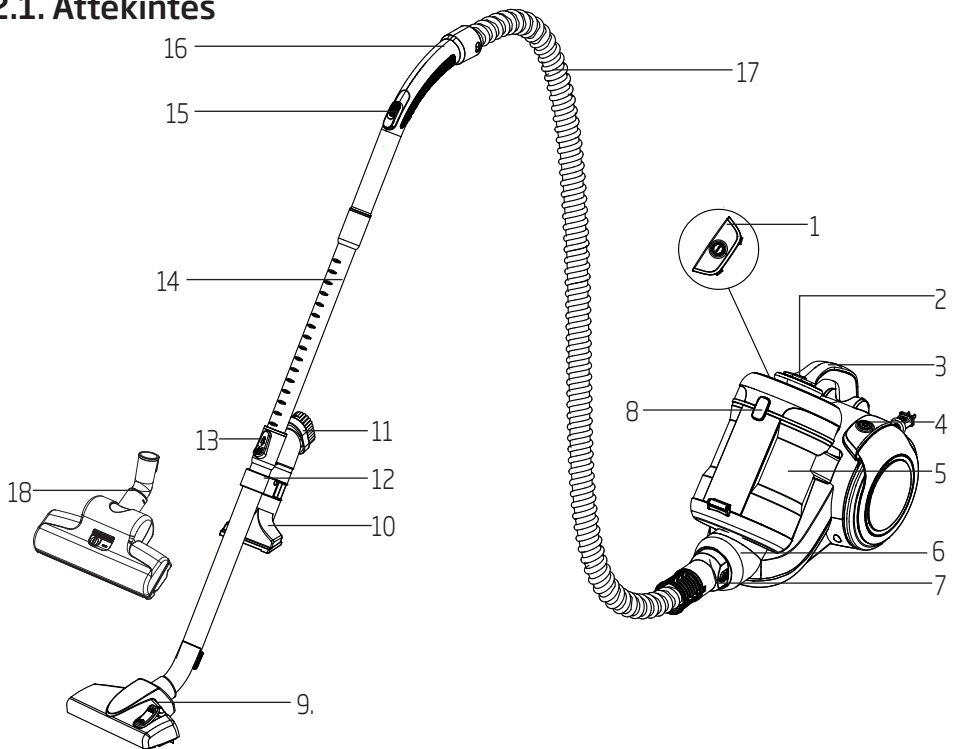
## 1.4 A termék csomagolása



Az Ön készülékéhez használt csomagolás újrahasznosítható anyagokból készült. Kérjük, gondoskodjon róla, hogy a csomagolóanyagokat a vonatkozó helyi szabályoknak megfelelően távolítsa el, hogy a környezetvédelem újrahasznosítási folyamatának részévé tegye az anyagokat.

## 2 Az Ön porszívója

### 2.1. Áttekintés



1. Be/Ki gomb
2. Portartály eltávolító gomb
3. Szállító fogantyú
4. Kábel feltekerő gomb
5. Portartály
6. Szívófej
7. Gumicső sapka
8. Motorvédő szűrő (MIF) burkolat nyitó gombja
9. Parketta / kárpit kefe
10. Eszköz kárpitozott bútorokhoz
11. Porkefe
12. Kiegészítő csomag
13. Teleszkópos csőbeállító retesz
14. Teleszkópos cső
15. Szívóteljesítmény szabályozó
16. Fogantyú
17. Gumicső
18. Turbó kefe

### 2.2. Műszaki adatok

<b>Teljesítmény</b>	: 800 W
<b>Tápellátás</b>	: 220-240 V~ 50-60Hz
<b>Portartály térfogata</b>	: 2,8 L
<b>Működési sugár</b>	: 11 m
<b>Szűrő</b>	: HEPA13
<b>Porgyűjtés a kárpiton</b>	: C
<b>Porgyűjtés szilárd felületen</b>	: A
<b>Porkibocsátás</b>	: A
<b>Energiaosztály</b>	: A

A műszaki és kiviteli változtatások jogát fenntartjuk.

A készüléken vagy más mellékelt nyomtatott dokumentumban található értékeket a vonatkozó szabványoknak megfelelően, laboratóriumokban nyertük. Ezek az értékek az alkalmazás használatától és a környezeti feltételektől függően eltérők lehetnek.

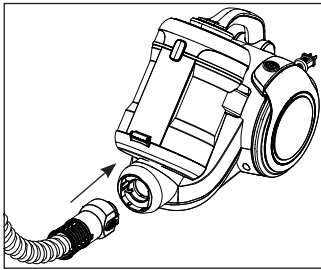
## 3 Használat

### 3.1 Rendeltetésszerű használat

Az alkalmazás háztartási használatra és nem ipari célokra készült.

### 3.2 A gumicső rögzítése / eltávolítása

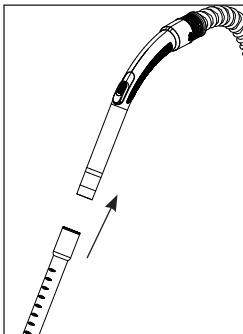
1. A gumicső (17) csatlakoztatásához húzza a gumicsövet a nyíl irányába addig, amíg a burkolatnak megfelelően nem helyezkedik el.



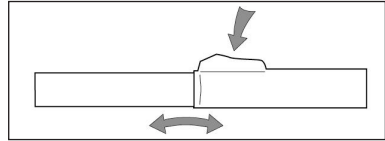
- A gumicső sapkán (7) található feloldó gomboknak a megfelelő pozícióban kell lenniük.
- 2. A gumicső (17) eltávolításához nyomja meg a gumicső sapkájának (7) oldalán található feloldó gombokat és húzza ki a gumicsövet.

### 3.3 A teleszkópos cső rögzítése / eltávolítása

1. Illesse a teleszkópos csövet (14) a fogantyúhoz (16).



2. A teleszkópos csövet (14) a fogantyútól (16) elhúzva távolíthatja el.
3. A teleszkópos csövet (14) a csőbeállító reteszhátra és előre mozgatva húzhatja ki vagy tolthatja vissza.



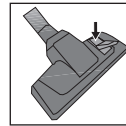
### 3.4 A parketta / kárpit kefe rögzítése / eltávolítása

1. Rögzítse a teleszkópos csövet (14) a parketta / kárpit keféhez (9).
2. A teleszkópos csövet (14) a parketta / kárpit kefétől (9) elhúzva távolíthatja el.

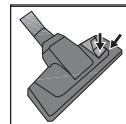
### 3.5 A parketta / kárpit kefe beállítása

Végezze el a következő műveleteket a parketta / kárpit kefén (9) található szabályozó reteszen;

- Használja a  pozíciót kemény padlókhöz és parkettákhoz.



- Használja a  pozíciót szőnyegekhez és padlószőnyeghez.



### 3.6 Működés

1. Miután kihúzta az alkalmazás hátlapján található hálózati dugót, csatlakoztassa az alkalmazást.

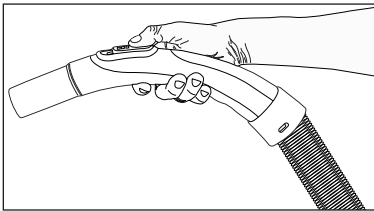


**FIGYELEM:** Ha a kábel sárga jelöléséhez ér, ne húzza tovább az alkalmazás kábelét. A sárga jelölés után a piros jelölés következik. A piros jelölés után semmiképp ne húzza tovább.

2. A készülék bekapcsolásához nyomja meg a be-/kikapcsoló gombot (1).

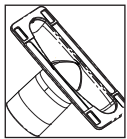
### 3.6.1 A szívóteljesítmény beállítása

A szívóteljesítményt a fogantyún (16) található szívóteljesítmény-szabályozóval (15) tudja módosítani. Minél jobban kinyitja a szabályozót, annál kisebb lesz a szívóerő.



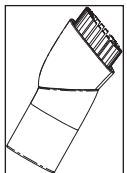
### 3.7 Tartozékok

#### Eszköz kárpitozott bútorokhoz



Padlózatok, lépcsőfokok, autókárpitok, szőfák, karosszékek stb. tisztítására alkalmas.

#### Porkefe



Függönyök, valamint érzékeny és törékeny tárgyak tisztítására alkalmas.



**FIGYELEM:** Ne végezzen tisztítást a fogantyú (16) végalkatrészével.

### 3.8 Turbó sapka

A Turbó sapka (18) lehetővé teszi az Ön számára, hogy gyorsabb és hatékonyabb módon tisztítsa fel a haját a kárpitokról. Ily módon még a nehezen eltávolítható hajakat, pl.: kutyák és macskák szőrét is könnyen feltakaríthatja.

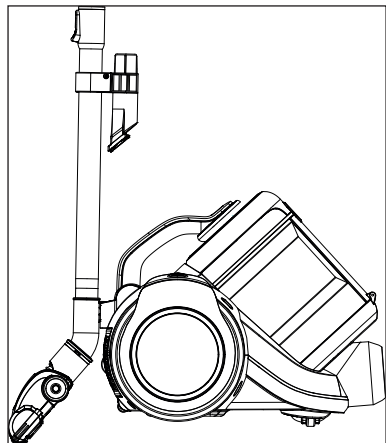
Nyomja előre a sapkán található fedőt a nyíllal jelölt irányba olyan felületek esetén, amelyeken nehéz mozgatni a turbó sapkát (18).

### 3.9 Az energiacímkére vonatkozó jelölések

Ez egy általános célú porszívó. Annak érdekében, hogy a legnagyobb energiahatékonyságot és tisztítási teljesítményt érje el a kárpit és a parketta tisztításánál, kérjük, a nagy teljesítményű parketta / kárpit keféket (9) használja. Az energiacímkére vonatkozó értékeket az előre meghatározott mérési módszereknek megfelelően határozták meg (a EN60312-1 szabványnak megfelelően).

### 3.10 A porszívó kikapcsolása és a parkolás funkció

1. Használat után kapcsolja ki a készüléket a Be-/Kikapcsológombbal (1), majd húzza ki.
2. Helyezze be a parketta-/kárpitkeféket (7) a berendezés hátsó részén található parkoló bemetszésbe.



## 4 Tisztítás és ápolás

Tisztítás előtt kapcsolja és húzza ki a készüléket.



**FIGYELEM:** Soha ne használjon gázolajat, oldószert, maró hatású tisztítószerket, fémtárgyakat vagy kemény keféket az alkalmazás tisztításához.

### 4.1 Porzsák kijelző

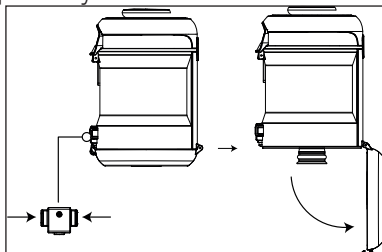
Ha a porzsák tele van, vagy ha a gumicsőben vagy a csőben akadály, pl. egy zokni, található, ami megakadályozza a szívást, a be-/kikapcsoló gomb mellett található porzsák kijelző pirosra vált.



**FIGYELEM:** Ha a porzsák tele van, vagy ha a gumicsőben vagy a csőben akadály, pl. egy zokni, található, ami megakadályozza a szívást, a be-/kikapcsoló gomb mellett található porzsák kijelző pirosra vált. Ilyen esetben kapcsolja ki a készüléket, és nézze át az alkatrészeket.

### 4.2 Portartály üritése

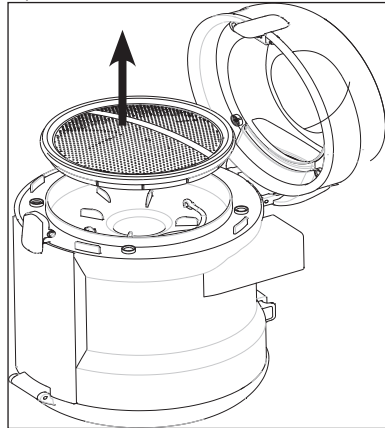
1. A portartály (5) eltávolításához nyomja meg a portartály eltávolító gombját (2), majd vegye ki a portartályt.
2. A portartály (5) hátulján nyomja meg két oldalról a portartály eltávolító reteszeket.



- Nyissa ki a portartály (5) kupakját, és üritse ki a tartályt.
3. A por kiürítése után zárja le a portartály kupakját (5); ekkor kattantást fog hallani.
  4. Helyezze vissza a portartályt (5) a helyére.

### 4.3 A ciklon porleválasztó tisztítása

1. Nyomja meg a portartály eltávolító gombját (2) és vegye ki a portartályt.
2. Nyomja meg a motorvédő szűrő (MIF) burkolat nyitógombját (8), és nyissa ki a burkolatot.
3. Távolítsa el a belül található motorvédő szűrőt (MIF).



4. A motorvédő szűrő eltávolítása után láthatóvá válik a ciklon porleválasztó fém fogantyúja. A fogantyút fogva távolítsa el a ciklon porleválasztót a portartályból (5).
5. Tisztítsa meg a ciklon porleválasztót és a portartályt (5) egy puha kefével, majd törölje át nedves ronggyal.



**FIGYELEM:** A ciklon porleválasztót ne merítse vízbe.

## 4 Tisztítás és ápolás

### 4.4 A szűrők tisztítása

A szűrőket a használat gyakoriságától függően rendszeresen cserélje. Általános használat esetén a szűrőket ajánlott 6 havonta lecserélni.

A portartályban felgyülemlt por ürítésekor a motorvédő szűrőt, a habszűrőt és a HEPA szűrőt is ürítse ki.



**FIGYELEM:** A szűrők szárításához ne használjon meleg levegőt kibocsátó alkalmazásokat, például hajszárítót vagy fűtőberendezést.



**FIGYELEM:** Ne helyezze be a szűrőket, amíg azok teljesen meg nem száradtak; különben dohos szagot érezhet használt közben, víz szívároghat az alkalmazás hátlapjából vagy a szűrők megsérülhetnek.

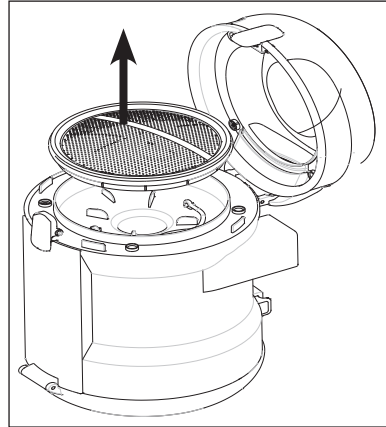


**FIGYELEM:** Miután megszáradtak, illessze a helyükre a szűrőket.

#### 4.4.1 Motorvédő szűrő (MIF)

Ez a szűrő a portartályon található.

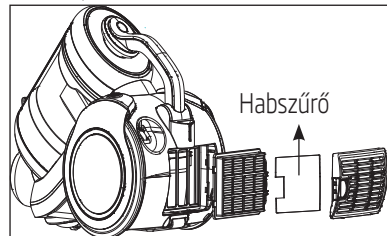
1. Nyomja meg a portartály eltávolító gombját (2) és vegye ki a portartályt (5).
2. Nyomja meg a motorvédő szűrő (MIF) burkolat nyitó gombját (8).
3. Húzza ki a motorvédő szűrőt.



4. Miután kirázta, mossa el folyóvízben, óvatosan csavarja ki, és szárítsa meg (legalább 24 órán át).

#### 4.4.2 Habszűrő

1. Nyomja le az alsó fedél nyitó reteszét a fedél kinyitásához.
2. Távolítsa el a burkolat mögött található habszűrőt, és mossa el.



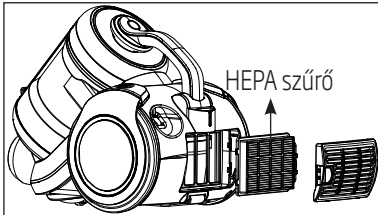
3. Miután kirázta, mossa el folyóvízben, óvatosan csavarja ki, és szárítsa meg (legalább 24 órán át).



## 4 Tisztítás és ápolás

### 4.4.3 HEPA szűrő

1. Nyomja le az alsó fedél nyitó reteszét a fedél kinyitásához, majd a fogantyúból kihúzva távolítsa el a HEPA szűrőt.



2. Rázza ki a szűrőt, és mossa el folyóvízben.
3. Ha kimossa a HEPA szűrőt, akkor szárítsa meg szobahőmérsékleten (legalább 24 órán át). Ne használja, amíg teljesen ki nem száradt.
4. A hosszabb élettartam érdekében mosás helyett úgy is megtisztíthatja a HEPA szűrőt, hogy egy kemény felülethez üti. Ez eltávolítja a HEPA szűrőben lerakódott port.

### 4.5 Tárolás

- Ha hosszú ideig nem fogja használni az alkalmazást, tárolja gondosan.
- Húzza ki az alkalmazást.
- A készüléket tartsa gyermekek által nem hozzáférhető helyen.

### 4.6 Kezelés és szállítás

- Kezelés és tárolás során tartsa az alkalmazást az eredeti csomagolásában. Az alkalmazás csomagolása megvédi a terméket a fizikai sérülésektől.
- Ne helyezzen nehéz terheket az alkalmazásra vagy a csomagolásra. Az alkalmazás megsérülhet.
- Ha leejti az alkalmazást, azzal működésképtelenné teheti vagy maradandó károsodást okozhat.

## Proszę najpierw przeczytać tę instrukcję obsługi!

Drogi Kliencie,

Dziękujemy za wybranie urządzenia marki Beko. Mamy nadzieję, że urządzenie to, wyprodukowane przy użyciu najnowszych technologii wysokiej jakości, okaże się w najwyższym stopniu zadowolające. Z tego względu przed użyciem urządzenia należy uważnie przeczytać instrukcję obsługi oraz dołączone dokumenty i zachować ją do wglądu na przyszłość. Przekazując urządzenie innemu użytkownikowi, proszę oddać mu również niniejszą instrukcję. Należy przestrzegać wskazówek, zwracając uwagę na wszystkie informacje i ostrzeżenia w instrukcji obsługi.

Proszę pamiętać, że instrukcja ta może odnosić się także do innych modeli. Różnice pomiędzy nimi są wyraźnie opisane w tej instrukcji.

### Znaczenie symboli

W niniejszej instrukcji stosuje się następujące symbole:

	Ważne informacje i przydatne wskazówki dotyczące użytkowania.
--	---

	<b>OSTRZEŻENIE</b> Ostrzeżenia dotyczące sytuacji zagrażających bezpieczeństwu, życiu i mieniu.
--	---

	Klasa ochronności przeciwporażeniowej.
--	--



Urządzenie zostało wyprodukowane w nowoczesnych, bezpiecznych dla środowiska zakładach bez wpływu na przyrodę.



Nie zawiera bifenyli polichlorowanych (PCB).

Wyprodukowano w Chińskiej Republice Ludowej.

Rozdział ten zawiera instrukcje zachowania bezpieczeństwa, które ułatwią zabezpieczenie się przed obrażeniami ciała lub uszkodzeniem mienia.

Nieprzestrzeganie tych instrukcji powoduje unieważnienie udzielonej gwarancji.

## **1.1 Ogólne zasady zachowania bezpieczeństwa**

- Urządzenie jest zgodne z międzynarodowymi normami bezpieczeństwa.
- To urządzenie może być obsługiwane przez dzieci w wieku 8 lat i starsze, osoby z pewnym upośledzeniem fizycznym, sensorycznym lub umysłowym, a także osoby niemające odpowiedniego doświadczenia, jeśli udzielono im instrukcji w zakresie bezpiecznego używania urządzenia lub obsługa urządzenia odbywa się pod nadzorem oraz jeśli osoby te znają zagrożenia z nią związane.

- Dzieci nie mogą bawić się tym urządzeniem. Dzieci bez nadzoru nie mogą czyścić ani konserwować tego urządzenia.
- Nie należy używać urządzenia, jeśli uszkodzony jest jego przewód zasilający lub ono samo. Należy skontaktować się z autoryzowanym punktem serwisowym.
- Zasilanie z domowej sieci elektrycznej powinno być zgodne z informacjami podanymi na tabliczce znamionowej urządzenia.
- Sieć elektryczna, w której będzie używane urządzenie, musi być zabezpieczona bezpiecznikiem co najmniej 16 A.
- Z urządzeniem nie należy używać przedłużaczy.
- Aby zapobiec uszkodzeniu przewodu zasilającego, należy dbać, aby nie był ściśnięty, zagięty, ani nie ocierał się o ostre krawędzie.
- Nie wolno dotykać urządzenia ani jego wtyczki, jeśli jest włączone do gniazdka, mokrymi ani wilgotnymi dłońmi.

- Nie należy wyjmować wtyczki z gniazdka, ciągnąc za przewód zasilający.
- Nie odkurzać materiałów palnych, a podczas odkurzania popiołu z papierosów upewnić się, że jest on zimny.
- Nie odkurzać wody ani innych cieczy.
- Chronić urządzenie przed deszczem, wilgocią i źródłami ciepła.
- Nigdy nie używać urządzenia w miejscach przechowywania materiałów wybuchowych lub łatwopalnych ani w ich pobliżu.
- Przed przystąpieniem do czyszczenia i konserwacji minibaru należy wyjąć jego wtyczkę z gniazdka.
- Nie wolno zanurzać urządzenia ani przewodu zasilającego w wodzie ani w żadnym płynie.
- Regularnie sprawdzać wąż urządzenia. W przypadku uszkodzenia nie wolno używać urządzenia i należy skontaktować się z autoryzowanym serwisem.
- Nie wolno demontować urządzenia.
- Należy stosować wyłącznie oryginalne lub zalecane przez producenta części zamienne.
- Nie używać urządzenia bez filtrów. Może to spowodować jego uszkodzenie.
- Podczas odkurzania schodów urządzenie powinno znajdować się niżej niż użytkownik.
- Opakowanie urządzenia należy przechowywać poza zasięgiem dzieci.

## 1.2 Zgodność z dyrektywą WEEE i usuwanie odpadów



Niniejszy wyrób jest zgodny z dyrektywą Parlamentu Europejskiego i Rady (2012/19/WE). Wyrób ten oznaczony jest symbolem klasyfikacji zużytych urządzeń elektrycznych i elektronicznych (WEEE).

Wyrób ten wykonano z części i materiałów wysokiej jakości, które mogą być odzyskane i użyte jako surowce wtórne. Po zakończeniu użytkowania nie należy pozbywać się go razem z innymi odpadkami domowymi. Należy przekazać go do punktu zbiórki urządzeń elektrycznych i elektronicznych na surowce wtórne. Aby dowiedzieć się, gdzie jest najbliższy taki punkt, prosimy skonsultować się z władzami lokalnymi.

## 1.3 Zgodność z dyrektywą RoHS

Niniejszy wyrób jest zgodny z dyrektywą Parlamentu Europejskiego i Rady RoHS (Ograniczenie użycia substancji niebezpiecznych) (2011/65/WE). Nie zawiera szkodliwych i zakazanych materiałów, podanych w tej dyrektywie.

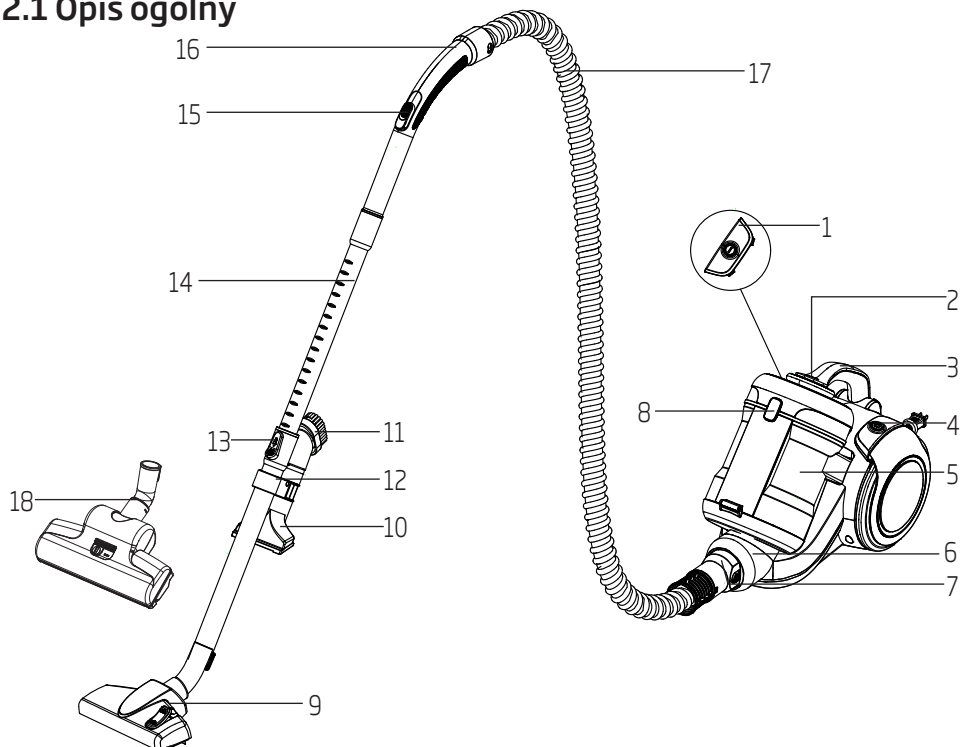
## 1.4 Informacje o opakowaniu



Opakowanie tego wyrobu wykonano z materiałów nadających się do recyklingu, zgodnie z naszym ustawodawstwem krajowym.. Nie wyrzucaj materiałów opakowaniowych do śmieci wraz z innymi odpadkami domowymi. Oddaj je w jednym z wyznaczonych przez władze lokalne punktów zbiórki materiałów opakowaniowych.

## 2 Oto Twój odkurzacz

### 2.1 Opis ogólny



1. Przycisk Wł./wył.
2. Przycisk wyjmowania pojemnika na kurz
3. Uchwyt do noszenia
4. Przycisk zwijania kabla
5. Pojemnik na kurz
6. Dysza ssąca
7. Pokrywka węża
8. Przycisk otwierania obudowy filtra ochronny silnika (MIF)
9. Szczotka do parkietów/dywanów
10. Przyrząd do mebli tapicerowanych
11. Szczotka do kurzu
12. Uchwyt do noszenia osprzętu
13. Zatrząsek regulacji rury teleskopowej
14. Rura teleskopowa
15. Regulacja mocy ssania
16. Uchwyt
17. Wąż
18. Nakładka turbo

### 2.2 Dane techniczne

<b>Moc</b>	: 800 W
<b>Napięcie zasilania</b>	: 220-240 V~, 50-60Hz
<b>Pojemność pojemnika na kurz:</b>	2.8 L
<b>Promień działania</b>	: 11 m
<b>Filtr</b>	: HEPA13
<b>Zbieranie kurzu z dywanu</b>	: C
<b>Zbieranie kurzu z twardej powierzchni</b>	: A
<b>Emisja kurzu</b>	: A
<b>Klasa energetyczna</b>	: A

Zastrzega się prawo do modyfikacji konstrukcji i parametrów technicznych.

Wartości podane w oznaczeniach umieszczonych na tym urządzeniu lub w innych dostarczanych wraz z nim materiałach drukowanych uzyskano w warunkach laboratoryjnych zgodnie z obowiązującymi normami. Wartości te mogą się różnić w zależności od sposobu użytkowania urządzenia i warunków w jego otoczeniu.

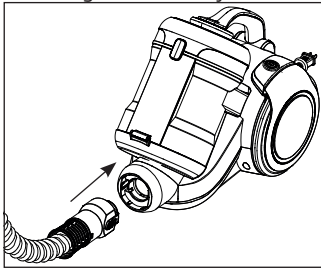
## 3 Sposób użycia

### 3.1 Przeznaczenie

Urządzenie jest przeznaczone do użytku domowego i nie nadaje się do zastosowań przemysłowych.

### 3.2 Zakładanie i zdejmowanie węża

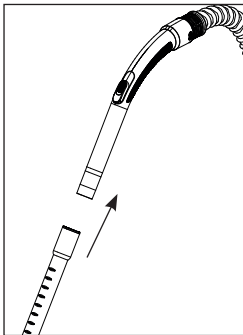
1. Aby założyć wąż (17), popchnij pokrywkę węża w kierunku wskazanym strzałką do momentu dopasowania go do obudowy.



- Wypustki na pokrywce węża (7) muszą być prawidłowo osadzone..
2. Aby zdjąć wąż (17), naciśnij wypustki na pokrywce węża (7) i pociągnij za niego.

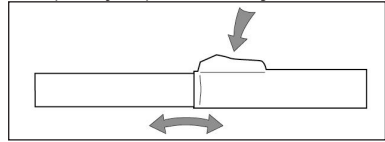
### 3.3 Zakładanie i zdejmowanie rury teleskopowej

1. Zamocuj rurę teleskopową (14) do uchwyty (16).



2. Aby wyjąć rurę teleskopową (14), wyciągnij ją z uchwyty (16).

3. Rurę teleskopową można wydłużyć lub skrócić (14), przesuwając zapadkę regulacji rury teleskopowej do przodu i do tyłu.



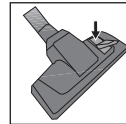
### 3.4 Zakładanie i zdejmowanie szczotki do parkietów/dywanów

1. Zamocuj rurę teleskopową (14) do szczotki do parkietów/dywanów (9).
2. Aby wyjąć rurę teleskopową (14), wyciągnij ją ze szczotki do parkietów/dywanów (9).

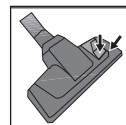
### 3.5 Regulowanie szczotki do parkietów/dywanów

Wykonaj następujące czynności przy użyciu zapadki regulacji na szczotce do parkietów/dywanów (9):

- Użyj pozycji „|||||”, aby odkurzać twarde podłogi i parkiety.



- Użyj pozycji „◇”, aby odkurzać wykładziny i dywany.



### 3.6 Obsługa

1. Po wyciągnięciu wtyczki z tyłu urządzenia podłącz je do zasilania.

## 3 Sposób użycia

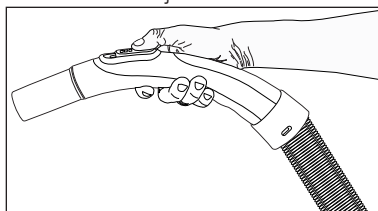


**Uwaga:** Należy zaprzestać ciągnięcia kabla urządzenia, gdy pojawi się na nim żółte oznaczenie. Po żółtym oznaczeniu widoczne jest oznaczenie czerwone. Nie wolno ciągnąć kabla po pojawieniu się czerwonego oznaczenia.

2. Aby włączyć urządzenie, naciśnij przycisk wł./wył. (1).

### 3.6.1 Dostosowywanie mocy ssania

Moc ssania można dostosować przy użyciu regulatora mocy ssania (15) na uchwycie (16). Im szerzej otworzysz ten regulator, tym bardziej moc ssania zostanie zmniejszona.



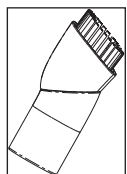
### 3.7 Akcesoria

#### Przyrząd do mebli tapicerowanych



Odpowiedni do czyszczenia podłóg, schodów, wnętrz samochodów, kanap, foteli itp.

#### Szczotka do kurzu



Odpowiednia do czyszczenia zasłon oraz delikatnych i kruchych przedmiotów.



**Uwaga:** Nie czyścić przy użyciu tylnej części uchwytu (16).

### 3.8 Nakładka turbo

Nakładka turbo (18) umożliwia szybsze i bardziej wydajne usuwanie włosów z dywanów. Dzięki temu można łatwo usuwać różnego rodzaju trudne do usunięcia włosy, m.in. sierść zwierząt.

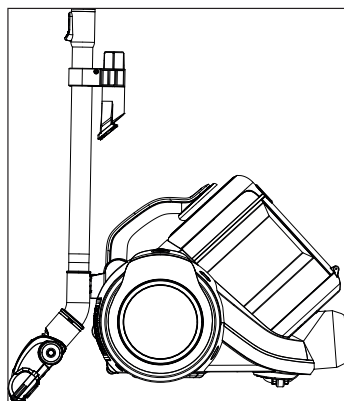
W przypadku odkurzania powierzchni, po których trudno jest przesunąć nakładkę turbo (18), przesunij suwak na nakładce w kierunku wskazanym strzałką.

### 3.9 Ostrzeżenia dotyczące specyfikacji energetycznej

Jest to odkurzacz przeznaczony do ogólnego użytku. Aby uzyskać najwyższą wydajność energetyczną i efektywność czyszczenia podczas odkurzania dywanów i parkietów, należy korzystać z wysokowydajnej szczotki do dywanów/parkietów (9). Określone wartości dotyczące specyfikacji energetycznej zostały podane zgodnie ze wstępnie zdefiniowanymi metodami pomiaru (według normy EN60312-1).

### 3.10 Wyłączanie odkurzacza i funkcja parkowania

1. Po zakończeniu korzystania z urządzenia wyłącz je, naciskając przycisk wł./wył. (1), i odłącz od prądu.
2. Wsuń zaczep szczotki do parkietów i dywanów (9) do rowka przechowywania z tyłu urządzenia.





## 4 Czyszczenie i konserwacja

Przed czyszczeniem wyłącz urządzenie i wyjmij jego wtyczkę z gniazdka.



**Uwaga:** Do czyszczenia odkurzacza nie wolno używać benzyny, rozpuszczalników ani szorstkich proszków do czyszczenia, przedmiotów metalowych ani twardych szczotek.

### 4.1 Wskaźnik przepełnienia pojemnika na kurz

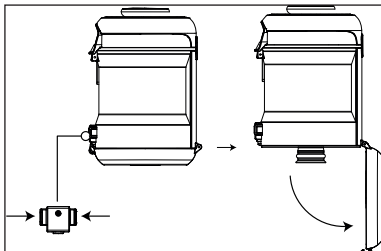
Jeżeli pojemnik na kurz jest pełny lub rura zostanie zablokowana dużym przedmiotem, np. skarpetką, uniemożliwiającemu zasysanie, wskaźnik przepełnienia pojemnika na kurz obok przycisku wł./wył. zaświeci się na czerwono.



**Uwaga:** Jeżeli pojemnik na kurz jest pusty, oznacza to, że duży przedmiot (np. skarpetka) zakleszczył się w wężu lub rurze i blokuje przepływ powietrza. W takich sytuacjach należy wyłączyć urządzenie i sprawdzić komponenty.

### 4.2 Opróżnianie pojemnika na kurz

1. Naciśnij przycisk wyjmowania pojemnika na kurz (2) i wyjmij go (5).
2. Przesuń zatrzaski wyjmowania pojemnika na kurz znajdujące się z tyłu pojemnika na kurz (5) z dwóch stron.

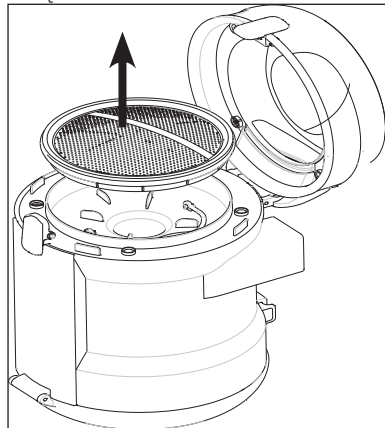


- Otwórz pokrywę pojemnika na kurz (5) i opróżnij pojemnik.

3. Po usunięciu kurzu zamknij pokrywę pojemnika na kurz (5). Rozlegnie się kliknięcie.
4. Włóż pojemnik na kurz (5) na swoje miejsce.

### 4.3 Czyszczenie separatora cyklonowego

1. Naciśnij przycisk wyjmowania pojemnika na kurz (2) i wyjmij pojemnik na kurz.
2. Naciśnij przycisk otwierania obudowy filtra ochrony silnika (MIF) (8) i otwórz pokrywę.
3. Wyjmij filtr ochrony silnika (MIF) znajdujący się wewnątrz.



4. Po wyjęciu filtra ochrony silnika widać będzie metalową dźwignię na separatorze cyklonowym. Przytrzymując dźwignię, wyjmij separator cyklonowy z pojemnika na kurz (5).
5. Oczyszcz separator cyklonowy oraz pojemnik na kurz (5) miękką szczotką i wytrzyj wilgotną ściereczką.



**Uwaga:** Separatora cyklonowego nie należy zanurzać w wodzie.

## 4 Czyszczenie i konserwacja

### 4.4 Czyszczenie filtrów

Regularnie wymieniaj filtry zgodnie z częstotliwością użytkowania. W przypadku zwykłego korzystania zaleca się wymianę filtrów co 6 miesięcy.

Podczas oczyszczania pojemnika z nagromadzonego kurzu należy wyczyścić filtr ochrony silnika, filtr piankowy oraz filtr HEPA.



**Uwaga:** Do suszenia filtrów nie należy używać urządzeń wytwarzających strumień gorącego powietrza, np. suszarek do włosów ani grzejników.



**Uwaga:** Nie należy zakładać filtrów, dopóki całkiem nie wyschną, w przeciwnym razie w czasie odkurzania może pojawić się zapach wilgoci, z tyłu odkurzacza może wyciekać woda lub filtry mogą ulec uszkodzeniu.

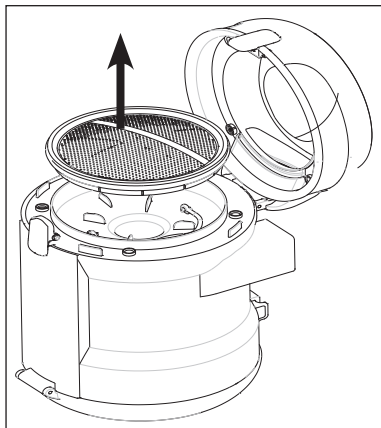


**Uwaga:** Po wysuszeniu filtrów załóż je na miejsce.

#### 4.4.1 Filtr ochrony silnika (MIF)

Ten filtr znajduje się na pojemniku na kurz.

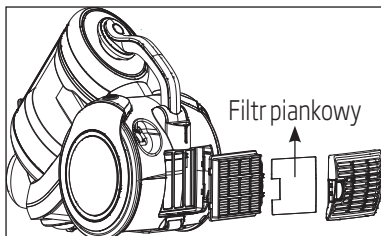
1. Naciśnij przycisk wyjmowania pojemnika na kurz (2) i wyjmij pojemnik na kurz (5).
2. Naciśnij przycisk otwierania obudowy filtra ochrony silnika (MIF) (8).
3. Wyjmij filtr ochrony silnika, pociągając go.



4. Po otrzepaniu z kurzu umyj go pod bieżącą wodą, delikatnie wykręć i odłóż do wyschnięcia (na co najmniej 24 godziny).

#### 4.4.2 Filtr piankowy

1. Naciśnij zatrzask otwierania tylnej pokrywy, aby ją otworzyć.
2. Wyjmij filtr piankowy zza osłony i umyj go.

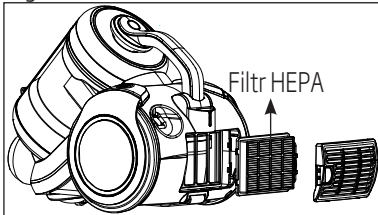


3. Po otrzepaniu z kurzu umyj go pod bieżącą wodą, delikatnie wykręć i odłóż do wyschnięcia (na co najmniej 24 godziny).

## 4 Czyszczenie i konserwacja

### 4.4.3 Filtr HEPA

1. Naciśnij zatrzask otwierania tylnej pokrywy, aby ją otworzyć, i wyjmij filtr HEPA, wyciągając do z dźwigni.



2. Filtr można myć pod bieżącą wodą po otrzeptaniu z kurzu.
3. Po umyciu filtra HEPA wysusz go w temperaturze pokojowej (przez co najmniej 24 godziny). Nie używaj filtra do momentu, aż będzie zupełnie suchy.
4. Aby zapewnić dłuższy okres eksploatacji, filtr HEPA można czyścić, uderzając w twardą powierzchnię, zamiast go myć. Kurz nagromadzony w filtrze HEPA wypadnie z niego po uderzeniu w twardą podłogę.

### 4.5 Przechowywanie

- Jeśli odkurzacz nie będzie używany przez dłuższy czas, należy go bezpiecznie przechowywać.
- Odłącz urządzenie od prądu.
- Urządzenie należy chronić przed dostępem dzieci.

## **Warunki gwarancji Beko S.A- (małe urządzenia AGD)**

BEKO spółka akcyjna z siedzibą w Warszawie (02-819), przy ulicy Puławskiej 366, wpisana do rejestru przedsiębiorców prowadzonego przez Sąd Rejonowy dla m.st. Warszawy w Warszawie, XIII Wydział Gospodarczy Krajowego Rejestru Sądowego, pod numerem: 0000078147 (dalej: „BEKO”) udziela gwarancji jakości (dalej: „Gwarancja”) na wprowadzone przez BEKO do obrotu na terenie Polski produkty marki BEKO (dalej: „Urządzenia”) osobom, które nabyły te produkty („Użytkownik”) na następujących warunkach:

### **I. ZAKRES OCHRONY.**

1. BEKO gwarantuje, że Urządzenie zakupione przez Użytkownika jest wolne od wad produkcyjnych lub materiałowych, powstałych z przyczyn tkwiących w tym Urządzeniu (dalej: „Wada”), które ujawnią się w ciągu terminu określonego w części II. niniejszych Warunków Gwarancji (dalej: „Okres Gwarancyjny”).
2. W razie ujawnienia się Wady Produktu w trakcie Okresu Gwarancyjnego, zostanie ona usunięta na koszt BEKO w sposób uzależniony od właściwości wady, na zasadach i w zakresie określonym w niniejszych Warunkach Gwarancji.
3. BEKO zobowiązuje się do usunięcia Wady poprzez dokonanie nieodpłatnej naprawy lub wymiany Urządzenia, bądź też reklamacja zgłoszona na podstawie niniejszych Warunków Gwarancji zostanie rozpoznana w inny sposób uzgodniony przez BEKO i Użytkownika.
4. Udzielona gwarancja jest ważna na terytorium Rzeczypospolitej Polskiej.

### **II. CZAS TRWANIA GWARANCJI.**

1. Okres Gwarancyjny wynosi 24 miesiące licząc od daty zakupu Urządzenia przez pierwszego Użytkownika, z zastrzeżeniem wynikającym z punktu 2 poniżej.
2. Udzielona gwarancja nie obejmuje Urządzeń zakupionych później niż 36 miesięcy licząc od daty produkcji Urządzenia zgodnie z numerem seryjnym znajdującym się na tabliczce znamionowej Urządzenia.

### **III. PROCEDURA ZGŁOSZENIA REKLAMACYJNEGO.**

1. Wady Urządzenia ujawnione w Okresie Gwarancyjnym będą usuwane pod warunkiem przedstawienia przez Użytkownika dowodu zakupu tego Urządzenia zawierającego oznaczenia niezbędne do jego identyfikacji ( model, datę zakupu).
2. Uprawnienia wynikające z niniejszych Warunków Gwarancji mogą być zrealizowane przez Użytkownika wyłącznie w Autoryzowanych Punktach Serwisowych BEKO (dalej: „Serwis”) po uprzednim dokonaniu zgłoszenia na Infolinii BEKO pod numerem telefonu: 62 766 77 70. Lista wszystkich lokalizacji Serwisu dostępna jest na stronie internetowej BEKO [www.beko.pl](http://www.beko.pl)
3. Urządzenie powinno być odpowiednio zapakowane i zabezpieczone przez Użytkownika na czas transportu do punktu serwisowego Beko.
4. Urządzenie do zabudowy meblowej powinno być udostępnione do naprawy przez Użytkownika lub Sprzedawcę w sposób umożliwiający przystąpienie do jego naprawy przez pracowników Serwisu Beko.
5. Wady Urządzenia będą usunięte w terminie 21 dni od daty zgłoszenia Wady na Infolinii BEKO.
6. Jeżeli część zamienna wymieniana w ramach uprawnień wynikających z niniejszych Warunków Gwarancji Urządzenia jest sprowadzana z zagranicy, termin naprawy, o którym mowa w punkcie 5 powyżej, może ulec wydłużeniu jednak, nie więcej niż do 30 dni licząc odpowiednio od daty zgłoszenia Wady na Infolinii BEKO. BEKO zastrzega, że w wyjątkowych przypadkach, gdy Wada nie wpływa na funkcjonowanie Urządzenia, dopuszczalne jest przekroczenie terminu 30 dni opisanego w zdaniu poprzedzającym. Informacje o spodziewanych terminach napraw dostępne są na Infolinii BEKO pod numerem 62 766 77 70.
7. Po usunięciu Wady, Urządzenie zostanie dostarczone Użytkownikowi na koszt BEKO.

### **IV. WYŁĄCZENIA.**

1. Warunkiem skorzystania z niniejszych Warunków Gwarancji jest:
  - a. użytkowanie Urządzenia zgodnie z Instrukcją Obsługi dołączoną do tego Urządzenia i jego przeznaczeniem, jak również odpowiednie czyszczenie i konserwację Urządzenia;

- b. użytkowanie w warunkach indywidualnego gospodarstwa domowego. Urządzenie nie jest używane do celów prowadzenia działalności gospodarczej lub w zastosowaniach eksploatacji masowej, w szczególności w gastronomicznej działalności hoteli, restauracji i innych obiektów turystyczno-rekreacyjnych lub zbiorowego żywienia.
- c. stosowanie osprzętu zalecanego przez producenta;
- d. brak ingerencji w Urządzenie przez osoby do tego nieupoważnione;
- e. brak ingerencji w tabliczkę znamionową z numerem seryjnym Urządzenia.

2. Udzielona przez Beko Gwarancja nie obejmuje:

- a. wad powstałych z przyczyn innych niż tkwiące w Urządzeniu;
- b. czynności przewidzianych w Instrukcji Obsługi, do wykonania których zobowiązany jest Użytkownik Urządzenia we własnym zakresie i na swój koszt, w tym: instruktażu dotyczącego obsługi Urządzenia, instalacji oraz regulacji urządzenia.
- c. usterek powstałych w wyniku nieprawidłowego lub niewłaściwego użytkowania, niedbalstwa, przypadkowego uszkodzenia Urządzenia, nieodpowiedniego napięcia prądu lub dokonania jakichkolwiek zmian, które mają wpływ na niewłaściwe działanie Urządzenia, i które naprawiane były przez osoby nieupoważnione, używania instalacji niezgodnych z odpowiednimi Polskimi Normami i innych niż wymienione w Instrukcji Obsługi Urządzenia;
- d. uszkodzeń mechanicznych, termicznych, chemicznych, korozji, innych uszkodzeń spowodowanych działaniem lub zaniedbaniem Użytkownika lub powstałych na skutek działania sił zewnętrznych (do których zalicza się w szczególności wyładowania atmosferyczne, skoki napięcia, wszystkiego rodzaju awarie domowej instalacji wodno-kanalizacyjnej, itp.), a także powstałych na skutek przedostania się zanieczyszczeń lub ciał obcych do Urządzenia.
- e. zakamienienia (proces odkamieniania musi być przeprowadzany zgodnie z instrukcją obsługi z użyciem odpowiednich środków czyszczących)
- f. elementów ze szkła, plastiku oraz porcelany;
- g. odbarwień Urządzenia lub poszczególnych jego części;
- h. usterek powstałych w wyniku niewłaściwego montażu Urządzenia w zabudowie meblowej, niezgodnego z Instrukcją Obsługi Urządzenia lub innymi wytycznymi dotyczącymi montażu sprzętu w zabudowie meblowej określonymi przez Producenta;

- i. usterek powstałych na skutek przechowywania i użytkowania Urządzenia w warunkach, które są niezgodne z normalnymi warunkami domowymi określonymi wymaganiami powszechnie obowiązujących przepisów prawa i odpowiednich Polskich Norm.

## **V. POZOSTAŁE POSTANOWIENIA.**

Niniejsze warunki gwarancji mają zastosowanie do Urządzeń zakupionych od dnia 25.12.2014 r. Gwarant oświadcza, że niniejsza Gwarancja jest udzielana Użytkownikowi dodatkowo i nie wyłącza, nie ogranicza ani nie zawiesza uprawnień Użytkownika wynikających z przepisów o rękojmi za wady rzeczy sprzedanej na podstawie Kodeksu cywilnego.

# Прочитайте эту инструкцию перед началом эксплуатации!

Уважаемый покупатель!

Благодарим вас за выбор этого изделия компании Веко. Мы надеемся, что продукция, изготовленная на современном оборудовании и имеющая высокий уровень качества, будет служить вам наилучшим образом. Для этого перед началом эксплуатации устройства внимательно прочитайте данную инструкцию и все прочие сопроводительные документы и используйте их в дальнейшем в справочных целях. При передаче устройства другому лицу необходимо также передать эту инструкцию. Соблюдайте указания, которые даны в этой инструкции по эксплуатации, и обращайтесь особое внимание на справочные пометки и предупреждения.

## Условные обозначения

В различных разделах данной инструкции по эксплуатации использованы указанные ниже символы.



Важная информация и полезные советы по эксплуатации.



### **ПРЕДУПРЕЖДЕНИЕ!**

Предупреждения об опасности травмирования или повреждения имущества.



Класс защиты от поражения электрическим током.



Это изделие изготовлено на современном оборудовании, не загрязняющем окружающую среду.



Не содержит ПВХ.  
Сделано в КНР



В этом разделе содержатся правила техники безопасности, соблюдение которых позволит избежать травмирования или повреждения имущества.

При несоблюдении этих правил гарантийные обязательства аннулируются.

## **1.1 Общая безопасность**

- Данное устройство отвечает международным стандартам безопасности.
- Дети старше 8 лет, а также лица с ограниченными физическими, сенсорными и умственными способностями или без соответствующих навыков и опыта могут использовать данный прибор только под присмотром или после получения инструкций по поводу безопасного использования прибора и осознания связанных с этим опасностей. Не позволяйте детям играть с прибором. Не позволяйте детям самостоятельно выполнять очистку и обслуживание прибора.
- В keinem случае не пользуйтесь электроприбором, если шнур питания или электроприбор повреждены. Обратитесь в авторизованный сервисный центр.
- Напряжение сети питания должно соответствовать информации, указанной на табличке с техническими данными.
- Питание электроприбора должно быть защищено предохранителем с номинальным током не менее 16 А.
- Не подключайте электроприбор через удлинитель.
- Во избежание повреждений шнура питания не допускайте его сдавливания, сгибания и трения об острые кромки.
- Не прикасайтесь к электроприбору или его вилке при включении, если у вас мокрые или влажные руки.
- Не наматывайте шнур питания на прибор при отключении от сети питания.

- Не следует убирать пылесосом горючие вещества, а при уборке сигаретного пепла следует предварительно убедиться, что он остыл.
- Не следует убирать пылесосом воду и другие жидкие вещества.
- Необходимо защищать электроприбор от воздействия дождя, влажности а также держать вдали от источников тепла.
- Не пользуйтесь устройством в местах наличия горючих или легковоспламеняющихся материалов, а также в непосредственной близости от них.
- Перед чисткой и техническим обслуживанием отключите прибор от электрической сети.
- Ни в коем случае не погружайте прибор или его шнур питания в воду для очистки.
- Необходимо регулярно проверять состояние шланга электроприбора. В случае повреждений не следует использовать устройство — обратитесь в авторизованный сервисный центр.
- Ни в коем случае не разбирайте электроприбор.
- Используйте только оригинальные детали или детали, рекомендованные производителем.
- Не используйте электроприбор без фильтров, поскольку это может привести к его повреждению.
- При уборке пылесосом лестниц электроприбор должен стоять ниже пользователя.
- Если вы сохраняете упаковочные материалы, храните их в недоступном для детей месте.

## 1.2 Соответствие Директиве WEEE и утилизация продукта



Данное изделие соответствует требованиям Директивы по утилизации отходов электрического и электронного оборудования (2012/19/EC). Изделие содержит символ отходов электрического и электронного оборудования (WEEE). Это изделие изготовлено из высококачественных материалов и компонентов, которые пригодны для повторного использования и подлежат вторичной переработке. После окончания срока эксплуатации не выбрасывайте это изделие с обычными бытовыми и прочими отходами. Его следует сдать в центр сбора отходов электрического и электронного оборудования. О местонахождении ближайшего центра сбора отходов можно узнать в местных органах власти.

## 1.3 Соответствие Директиве ЕС по ограничению использования вредных веществ

Приобретенное вами изделие соответствует требованиям Директивы по ограничению использования вредных веществ (2011/65/EC). Оно не содержит указанных в Директиве вредных веществ и запрещенных материалов.

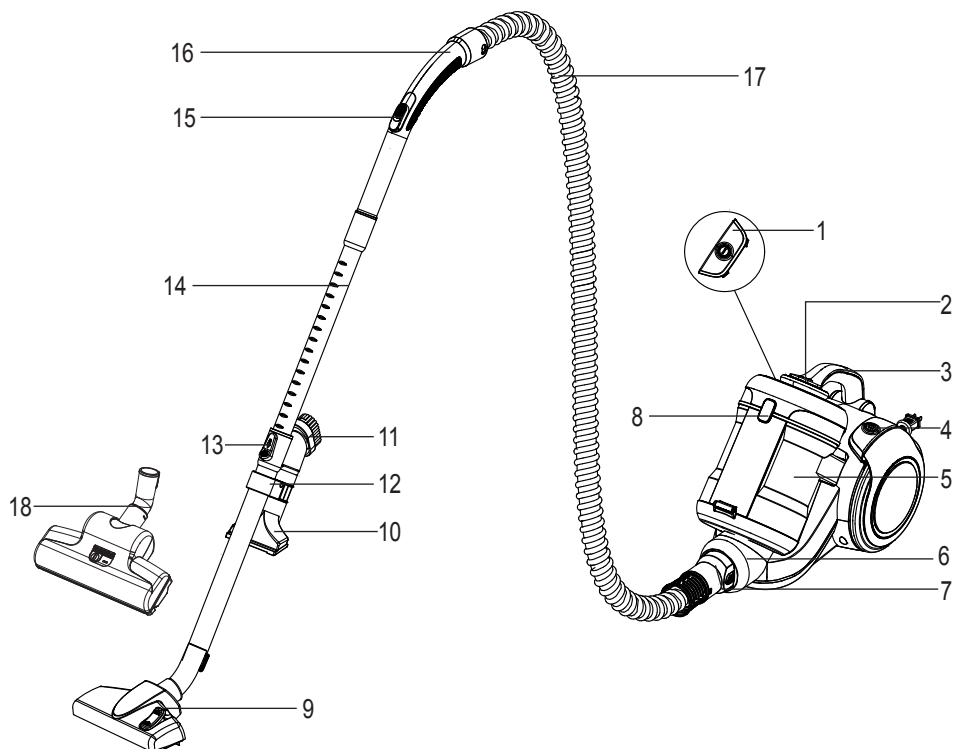
## 1.4 Информация об упаковке



Упаковка прибора изготовлена из вторичного сырья, в соответствии с государственными законами об охране окружающей среды. Не выбрасывайте упаковочные материалы вместе с бытовыми или другими отходами. Отнесите их в пункты приема упаковочных материалов, утвержденные местными органами власти.

## 2 Ваш пылесос

### 2.1 Обзор



1. Выключатель питания
2. Кнопка для снятия контейнера пылесборника
3. Ручка для переноски
4. Кнопка сматывания кабеля
5. Пылесборник
6. Всасывающее отверстие
7. Крышка шланга
8. Кнопка открытия корпуса фильтра для защиты электродвигателя (MIF)
9. Щетка для паркета/ковра
10. Насадка для чистки мягкой мебели
11. Щетка для пыли
12. Держатель насадок
13. Фиксатор регулировки телескопической трубки
14. Телескопическая трубка
15. Регулировочная ручка мощности всасывания
16. Ручка
17. Шланг
18. Щетка турборежима

### 2.2 Технические характеристики

<b>Мощность</b>	: 800 Вт
<b>Напряжение сети</b>	:
220–240 В~, 50–60 Гц	
<b>Объем пылесборника</b>	: 2,8 л
<b>Радиус действия</b>	: 11 м
<b>Фильтр</b>	: HEPA13
<b>Пыль на ковре</b>	: C
<b>Пыль на твердой поверхности</b>	: A
<b>Емкость пылесборника</b>	: A
<b>Класс энергопотребления</b>	: A

Производитель оставляет за собой право на изменение технических характеристик и конструкции изделия.

Значения параметров, указанные в маркировке на устройстве или в печатных документах, поставляемых с ним, соответствуют значениям, полученным в лаборатории с применением соответствующих стандартов. Фактические данные могут различаться в зависимости от режима эксплуатации прибора и условий окружающей среды.

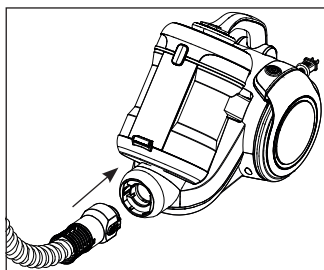
## 3 Эксплуатация

### 3.1 Назначение изделия

Прибор предназначен для бытового использования и не подходит для применения в промышленных целях.

### 3.2 Установка/снятие шланга

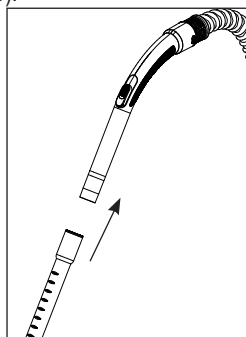
1. Для присоединения шланга (17) следует потянуть крышку шланга в направлении, указанном стрелкой, до выравнивания положения относительно корпуса.



- Петли на крышке шланга (7) должны быть установлены правильным образом.
2. Для снятия шланга (17) следует нажать на петли на крышке шланга (7) и потянуть.

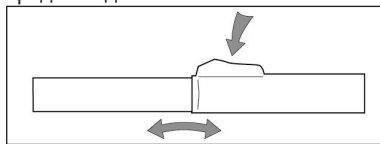
### 3.3 Установка/снятие телескопической трубки

1. Установите телескопическую трубку (14) на ручку (16).



2. Для снятия телескопической трубки (14) стяните ее с ручки (16).

3. Вы можете удлинить или укоротить телескопическую трубку (14) в направлении вперед-назад.




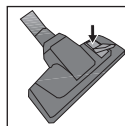
### 3.4 Установка/снятие щетки для паркета/ковра


1. Установите на телескопическую трубку (14) щетку для паркета/ковра (9).
2. Чтобы снять щетку для паркета/ковра (9), стяните ее с телескопической трубки (14).

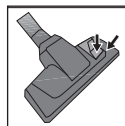
### 3.5 Регулировка щетки для паркета/ковра

Выполните указанные ниже действия на фиксаторе регулировки, расположенном на щетке для паркета/ковра (9).

- Используйте положение «» для твердых полов и паркета.



- Используйте положение «» для ковровых покрытий и ковров.



### 3.6 Эксплуатация

1. Вытяните вилку шнура, находящуюся на задней панели устройства, и подключите устройство к электросети.



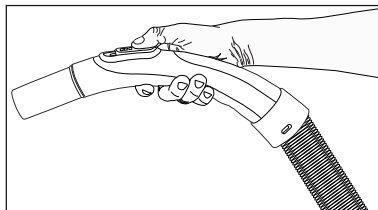
### **ПРЕДУПРЕЖДЕНИЕ!**

Необходимо прекратить вытягивание кабеля электроприбора после появления желтой отметки. Следом за желтой отметкой находится красная. После достижения красной отметки продолжать вытягивать кабель нельзя.

2. Нажмите на выключатель питания (1) для включения устройства.

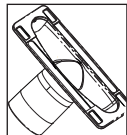
### **3.6.1 Регулировка мощности всасывания**

Мощность всасывания регулируется с помощью регулятора (15) на ручке (16) корпуса устройства. Чем больше выдвинут регулятор, тем ниже мощность всасывания.



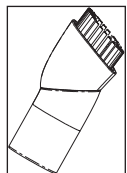
### **3.7 Принадлежности**

#### **Насадка для чистки мягкой мебели**



Подходит для уборки ковровых покрытий, ступеней лестницы, салона автомобиля, диванов, кресел и т. п.

#### **Щетка для пыли**



Подходит для уборки штор, а также хрупких предметов.



**ПРЕДУПРЕЖДЕНИЕ!** Не следует выполнять чистку с помощью концевой части рукоятки (16).

### **3.8 Щетка турборежима**

Щетка турборежима (18) позволяет удалять волосы с ковров быстрее и эффективнее. В этом режиме можно легко удалять даже трудноудаляемые волосы, в том числе шерсть собак или кошек.

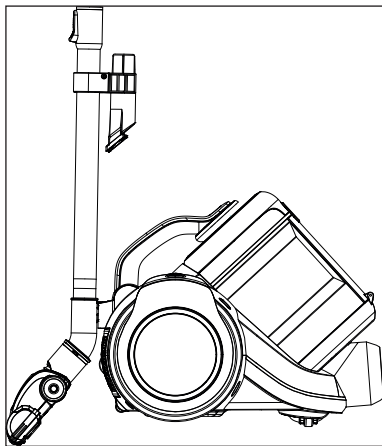
На поверхностях, где трудно перемещать турбощетку (18), нажмите на ползунок на щетке в положение, указанное стрелкой.

### **3.9 Предупреждения относительно маркировки энергоэффективности**

Это пылесос общего назначения. Для достижения максимальной энергоэффективности и качества очистки ковров и паркета используйте стандартную высокоэффективную щетку для паркета/ковров (9). Указанные на маркировке значения определены в соответствии с предварительно определенными способами измерения (EN60312-1).

### 3.10 Выключение и хранение пылесоса

1. Отключите устройство при помощи выключателя питания (1) и выньте вилку прибора из сетевой розетки.
2. Установите фиксатор щетки для паркета/ковра (9) в паз, который находится на задней части устройства.





## 4 Чистка и уход

Перед очисткой прибора выключите его и выньте вилку из сетевой розетки.



### ПРЕДУПРЕЖДЕНИЕ!

Никогда не используйте бензин, растворитель, абразивные материалы, металлические предметы или жесткие щетки для очистки устройства.

### 4.1 Индикатор пыли

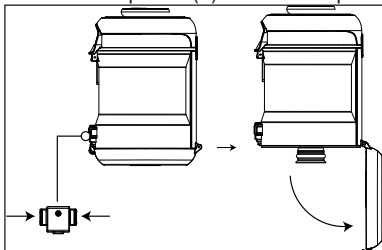
Если пылесборник заполнен или трубка заблокирована большим предметом, например носком, и всасывание не выполняется, загорится красный индикатор рядом с выключателем питания.



**ПРЕДУПРЕЖДЕНИЕ!** Если пылесборник пуст, это значит, что шланг или трубка заблокированы большим предметом, например носком, и заблокирован воздуховод. В таких случаях выключите пылесос и проверьте его.

### 4.2 Опорожнение пылесборника

1. Для извлечения пылесборника (5) нажмите кнопку извлечения (2) и извлеките его.
2. Нажмите на фиксаторы удаления пылесборника, расположенные с задней части пылесборника (5) с обеих сторон.

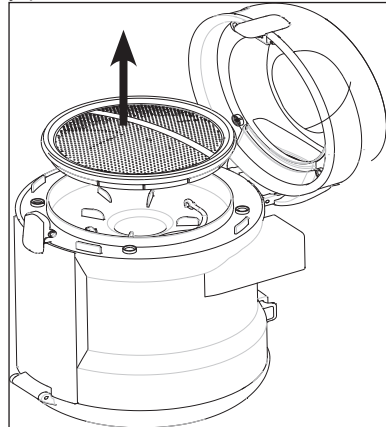


- Откройте крышку пылесборника (5) и опустошите его.

3. После удаления пыли закройте крышку пылесборника (5); раздается щелчок.
4. Установите пылесборник (5) на место.

### 4.3 Чистка циклонного сепаратора

1. Для извлечения пылесборника нажмите кнопку извлечения (2) и извлеките его.
2. Нажмите кнопку открытия корпуса фильтра для защиты электродвигателя (MIF) и откройте крышку (8).
3. Извлеките фильтр для защиты электродвигателя (MIF), расположенный внутри.



4. После удаления фильтра для защиты электродвигателя будет видна металлическая ручка циклонного сепаратора. Удерживая эту ручку, извлеките циклонный сепаратор из пылесборника (5).
5. Очистите циклонный сепаратор и отсек пылесборника (5) мягкой щеткой и вытрите влажной тканью.



**ПРЕДУПРЕЖДЕНИЕ!** Нельзя погружать циклонный сепаратор в воду.

## 4 Чистка и уход

### 4.4 Чистка фильтров

Регулярно заменяйте фильтры в соответствии с частотой использования. Рекомендуется заменять фильтры каждые 6 месяцев при средней частоте использования.

При удалении пыли, скопившейся в пылесборнике, для очистки контейнера необходимо очистить фильтр для защиты электродвигателя, фильтр из пеноматериала и фильтр HEPA.



**ПРЕДУПРЕЖДЕНИЕ!** Не следует использовать для сушки фильтров устройства, которые создают поток горячего воздуха, такие как фен или обогреватель.



**ПРЕДУПРЕЖДЕНИЕ!** Не устанавливайте фильтры, пока они полностью не высохнут; в противном случае при использовании может появиться запах влаги, в задней части прибора может просочиться вода или фильтры могут выйти из строя.

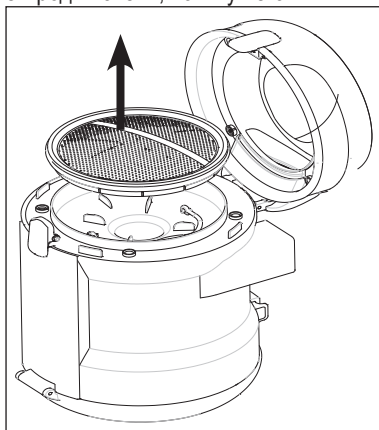


**ПРЕДУПРЕЖДЕНИЕ!** После высушивания фильтров установите их на место.

#### 4.4.1 Фильтр для защиты электродвигателя

Фильтр расположен на пылесборнике.

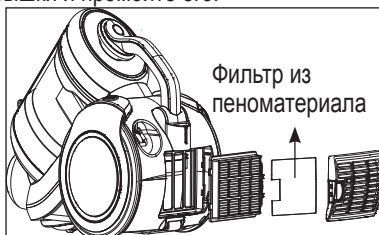
1. Нажмите кнопку извлечения пылесборника (2) и извлеките пылесборник (5).
2. Нажмите кнопку открытия корпуса (8) фильтра для защиты электродвигателя (MIF).
3. Извлеките фильтр для защиты электродвигателя, потянув его.



4. Потрясите фильтр, промойте под водой и аккуратно отожмите его и дайте высохнуть (не менее 24 часов).

#### 4.4.2 Фильтр из пеноматериала

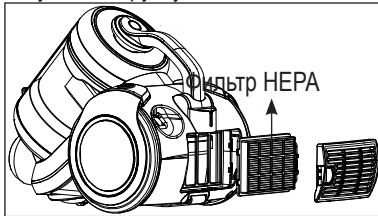
1. Нажмите защелку задней крышки для ее открытия.
2. Извлеките фильтр из пеноматериала сзади крышки и промойте его.



3. Потрясите фильтр, промойте под водой и аккуратно отожмите его и дайте высохнуть (не менее 24 часов).

### 4.4.3 Фильтр HEPA

1. Нажмите кнопку открытия задней крышки устройства и извлеките фильтр HEPA, потянув его за ручку.



2. Промойте фильтр под струей воды и потрясите.
3. Если вы промываете фильтр HEPA, высушите его при комнатной температуре (в течение не менее чем 24 часов). Не используйте его, пока он полностью не высохнет.
4. Для обеспечения продолжительного срока службы очищайте фильтр HEPA, постучав им по твердой поверхности, а не промывайте его. Таким образом пыль, скопившаяся на фильтре HEPA, будет удалена.

## 4.5 Хранение

- Если вы не планируете использовать прибор в течение длительного времени, его следует хранить надлежащим образом.
- Отключите электроприбор от сети питания.
- Храните прибор в недоступном для детей месте.

## 4.6 Погрузка-выгрузка и транспортировка

- При погрузке-выгрузке и транспортировке переносите прибор в его оригинальной упаковке. Упаковка прибора защищает его от физических повреждений.
- Не размещайте тяжелые грузы на приборе или его упаковке. Это может привести к повреждению прибора.
- Падение прибора может привести к выходу из строя или необратимым повреждениям.

